

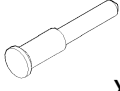


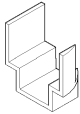
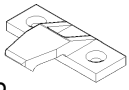
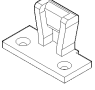
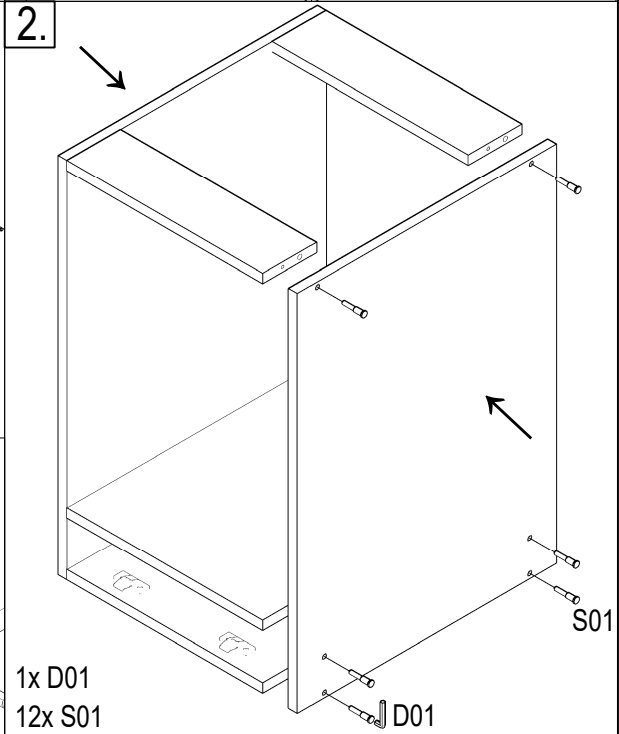
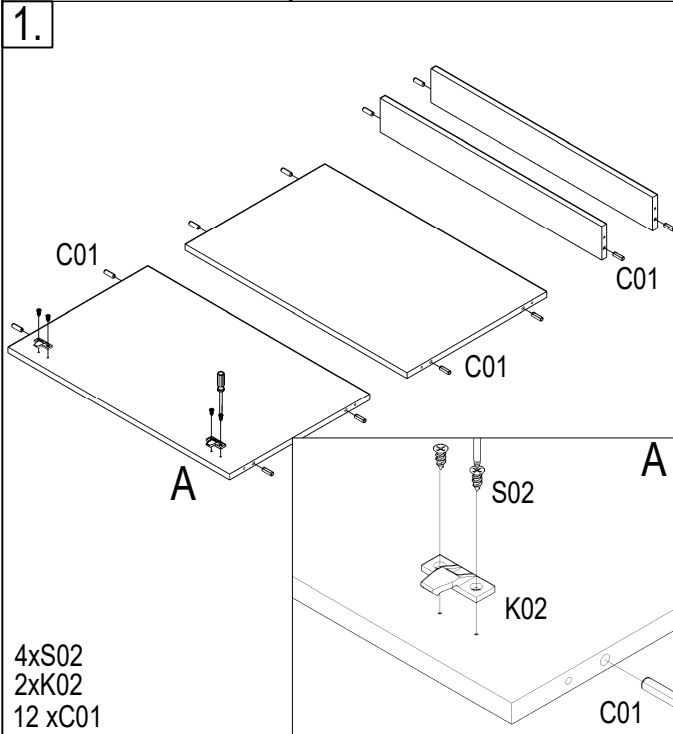
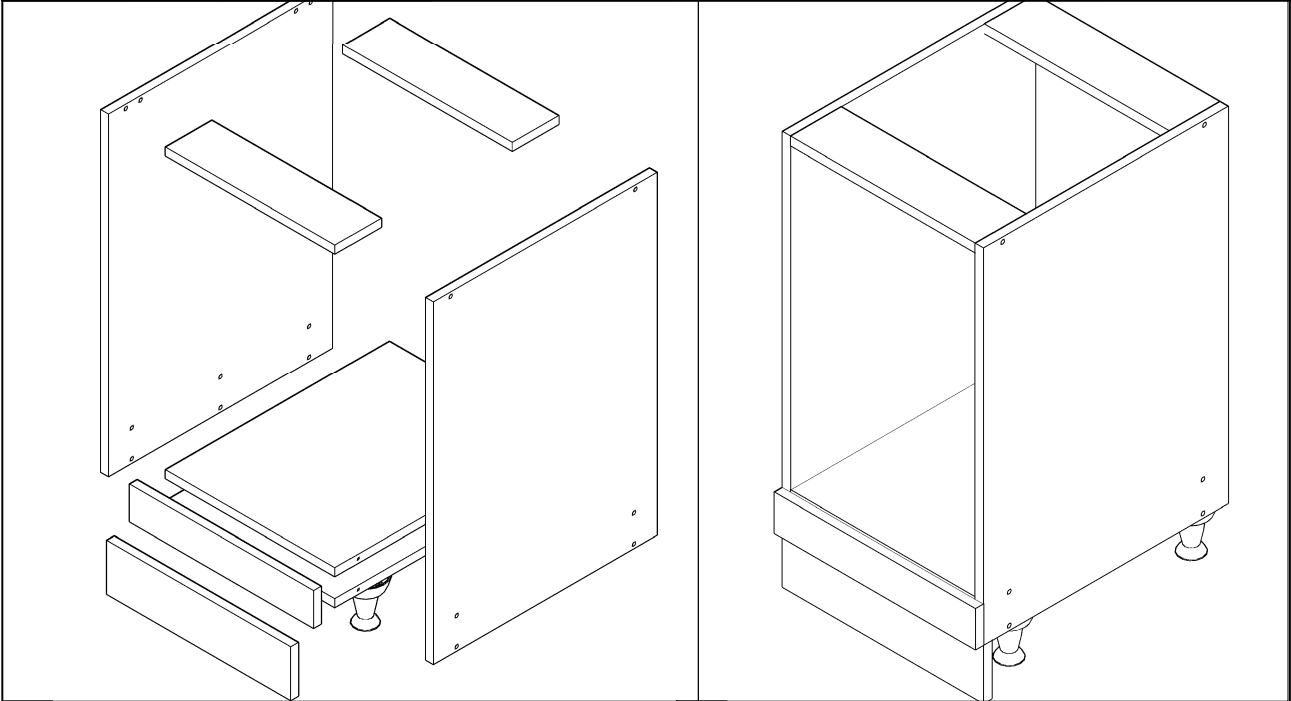
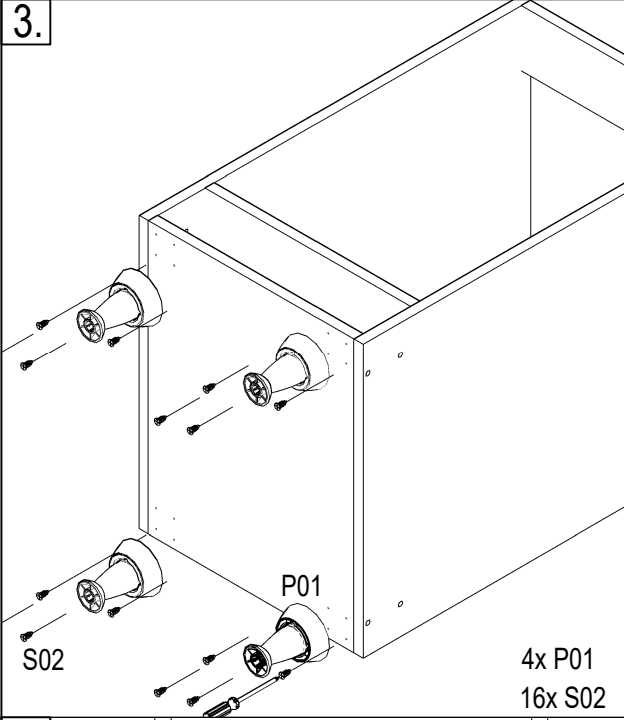


# NR.102

 3.5x16 S02 x28	 D01 x1	 S01 x12	 P01 x4	 C01 x12	 CL x2
 K02 x2	 K01 x2				



3.

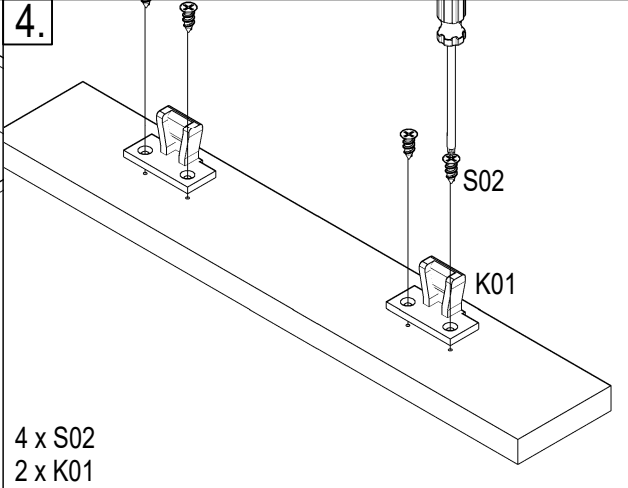


S02

P01

4x P01  
16x S02

4.

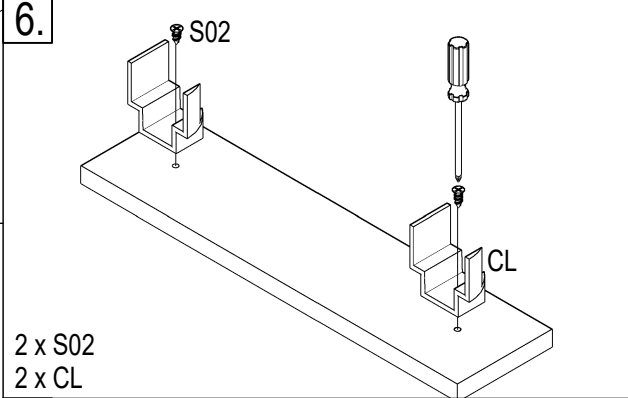


S02

K01

4 x S02  
2 x K01

6.

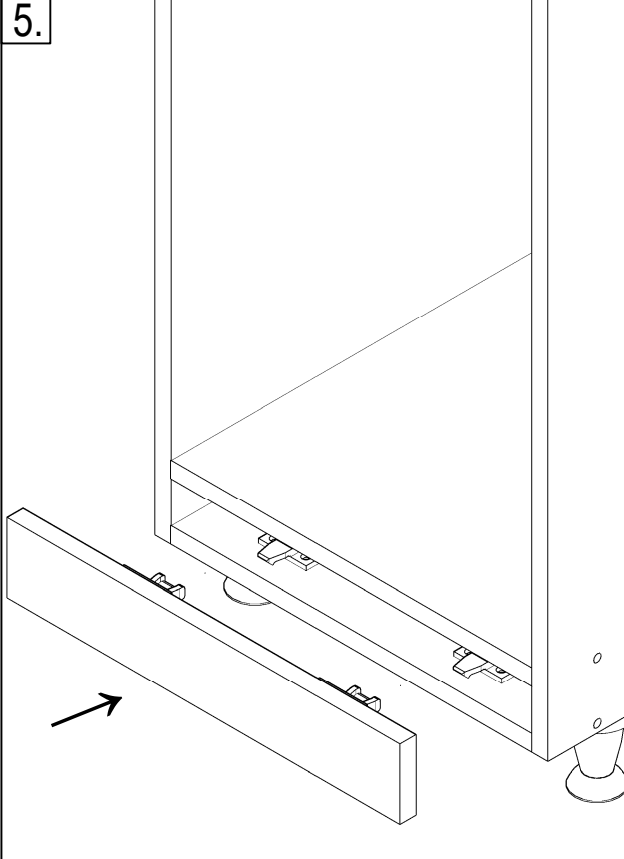


S02

CL

2 x S02  
2 x CL

5.



7.

