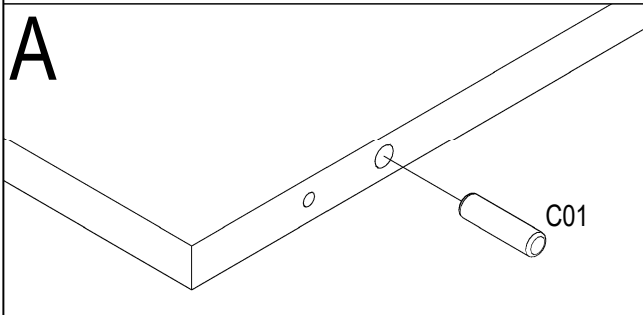
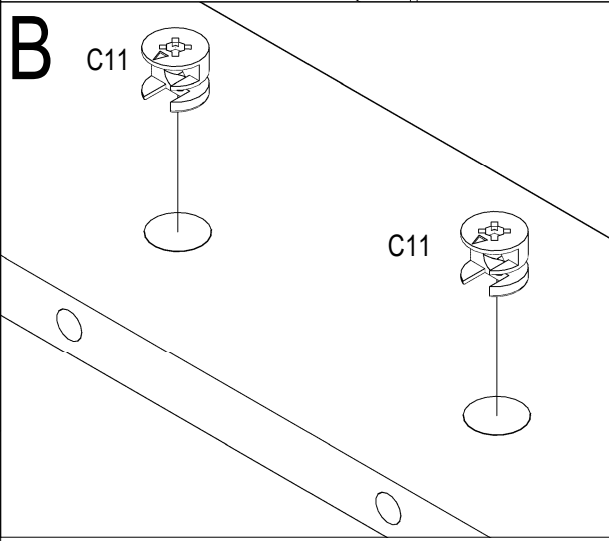
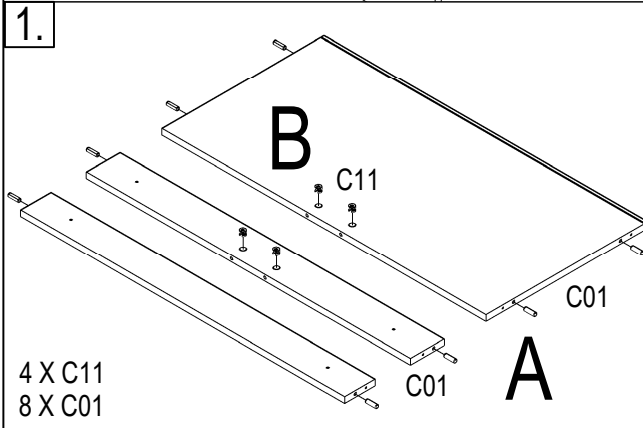
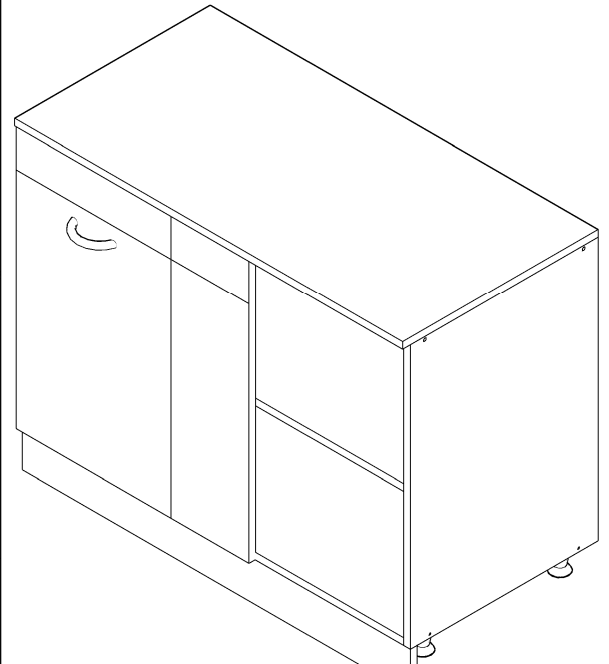
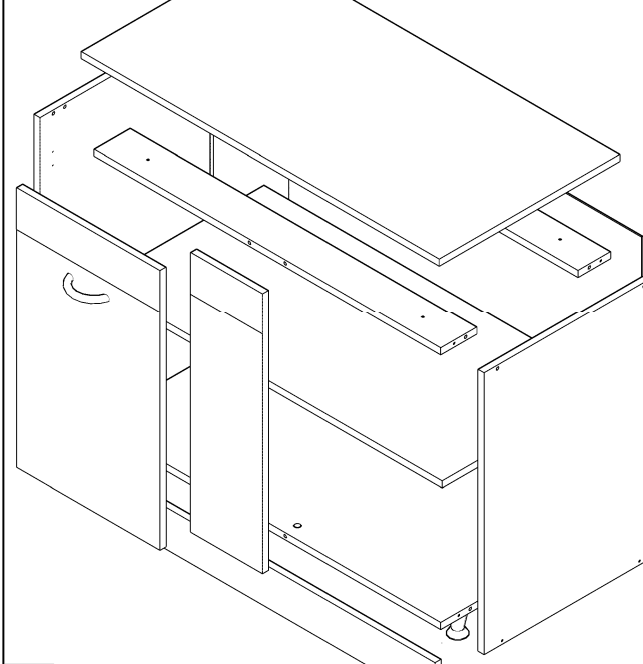
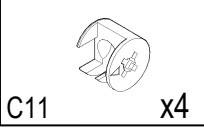
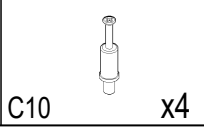
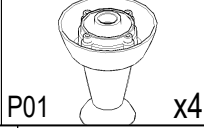
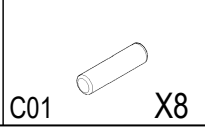
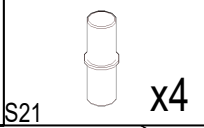
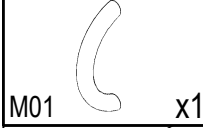
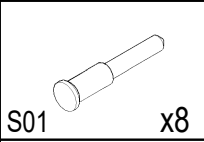
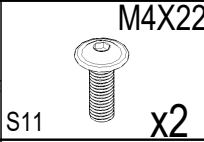
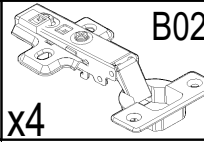
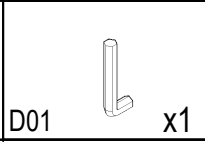
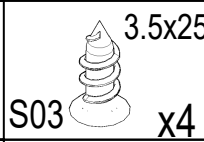
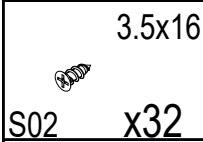
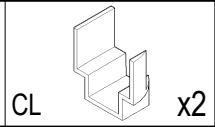
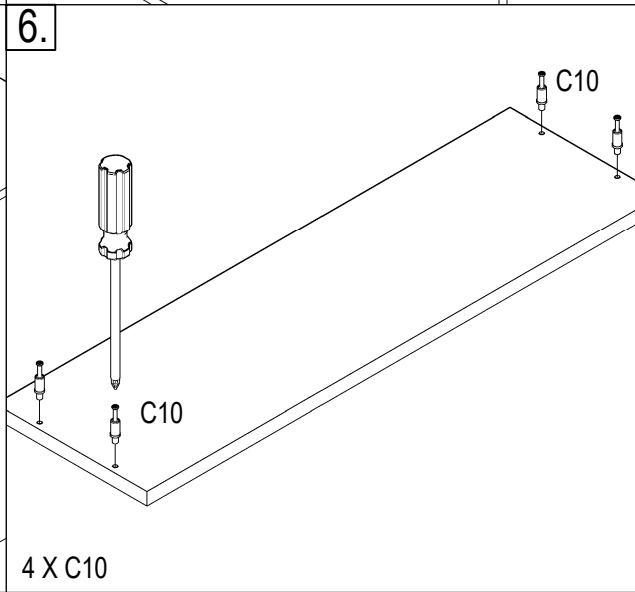
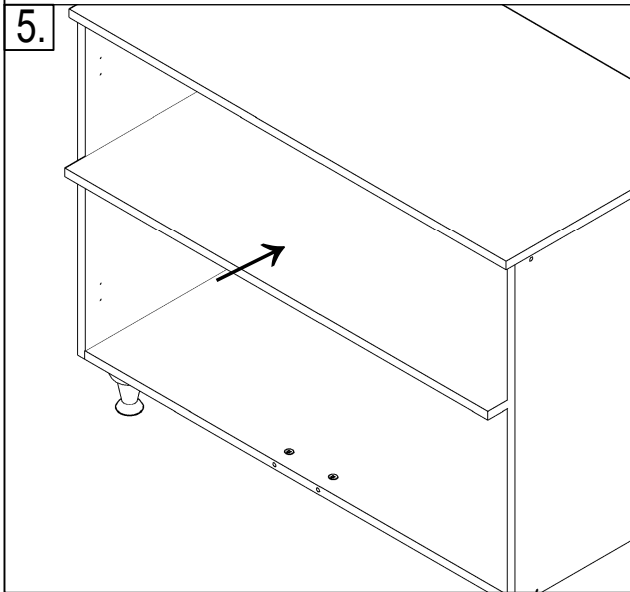
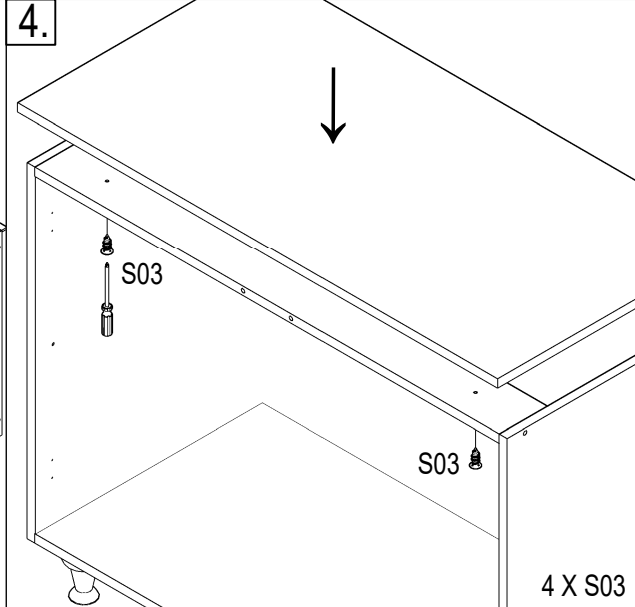
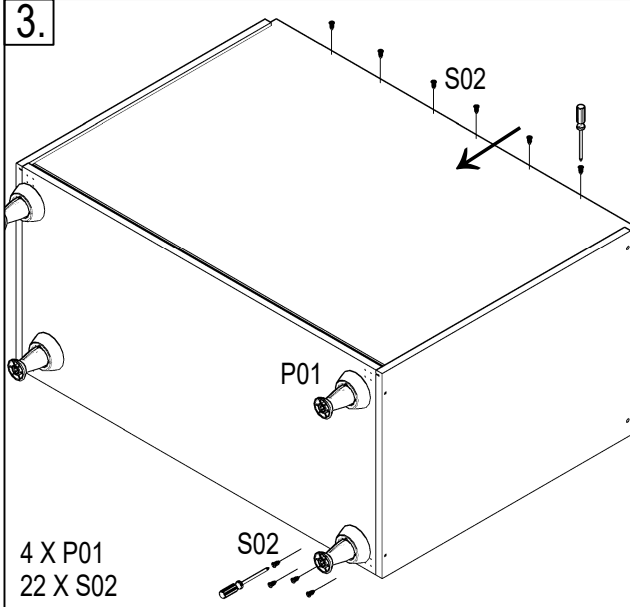
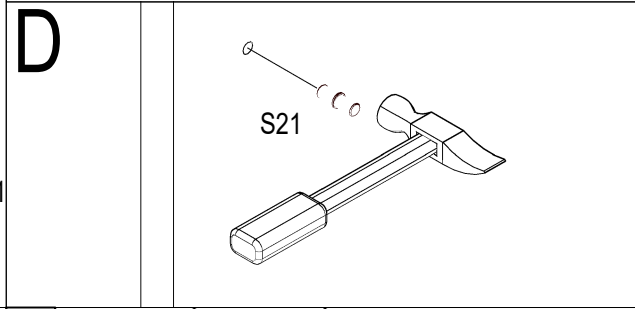
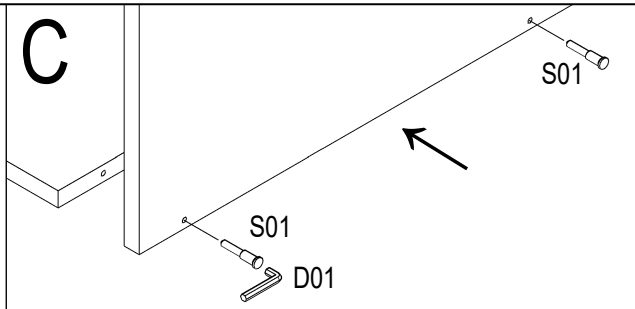
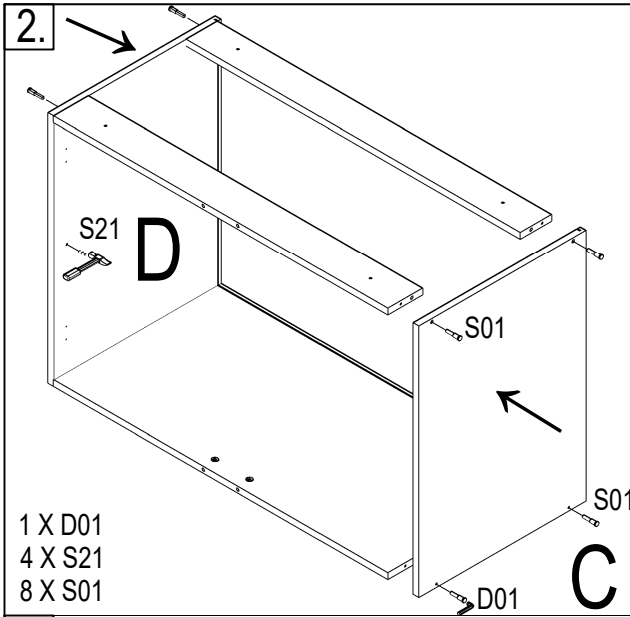
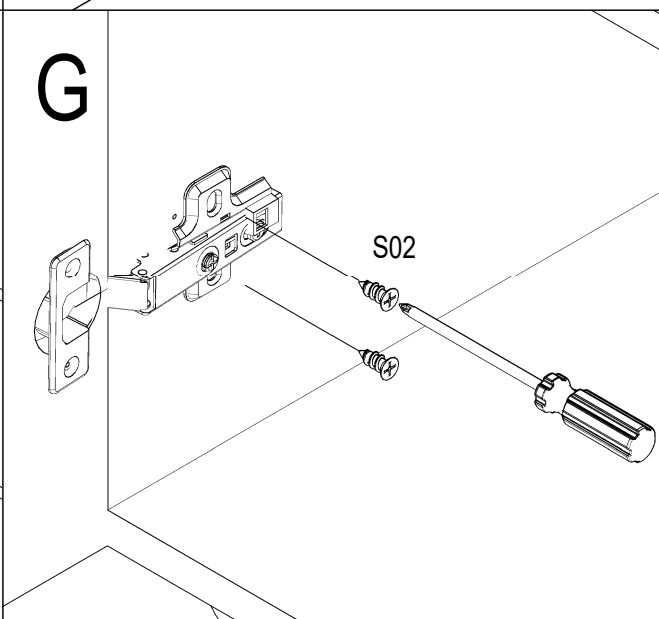
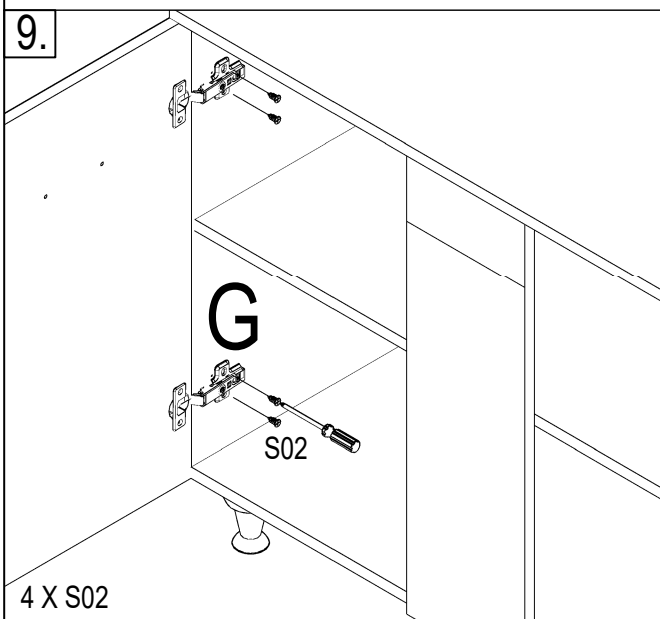
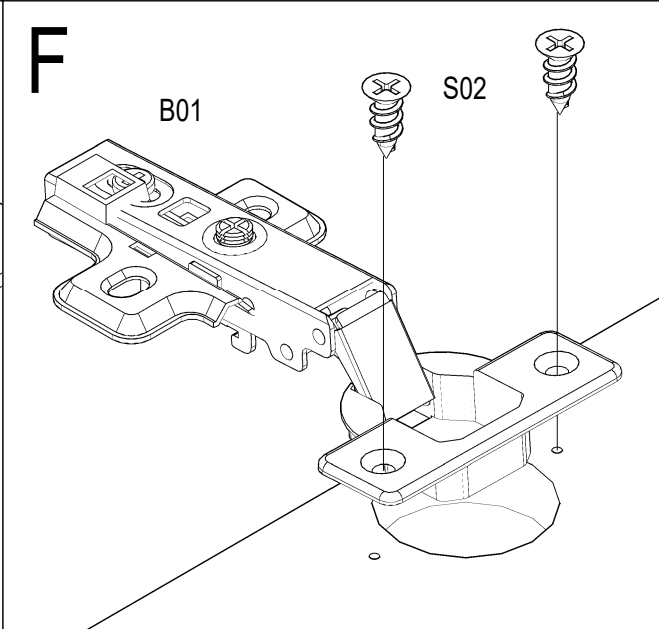
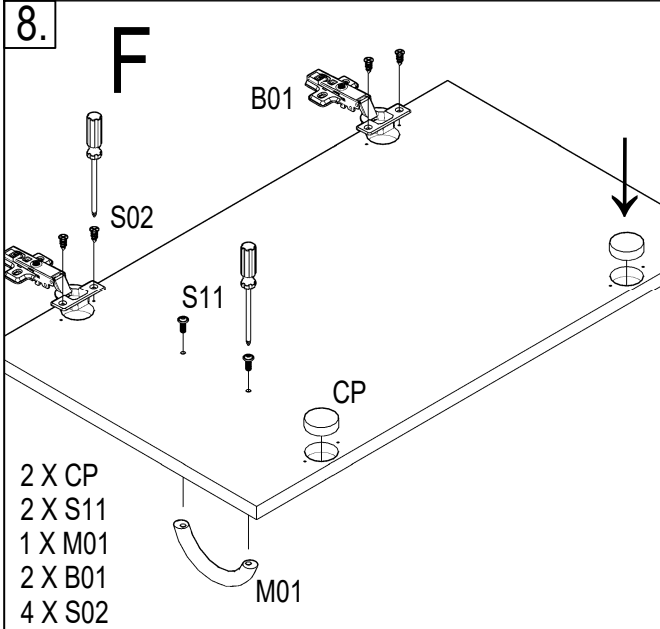
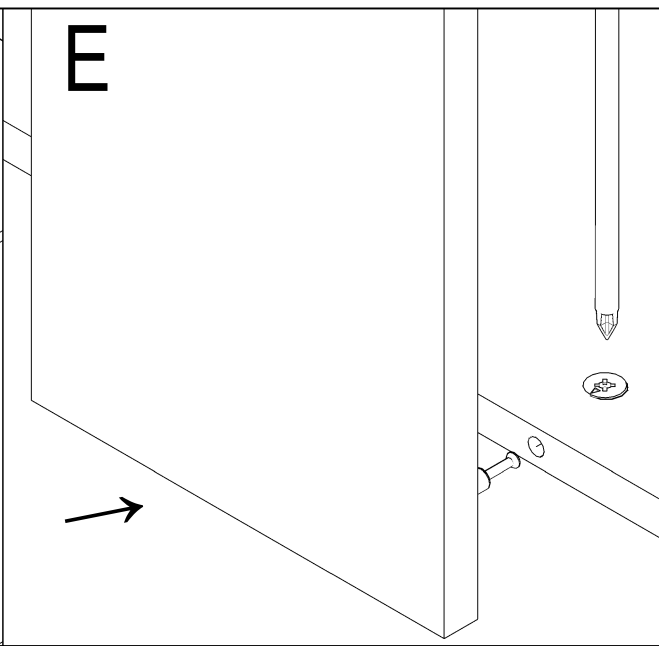
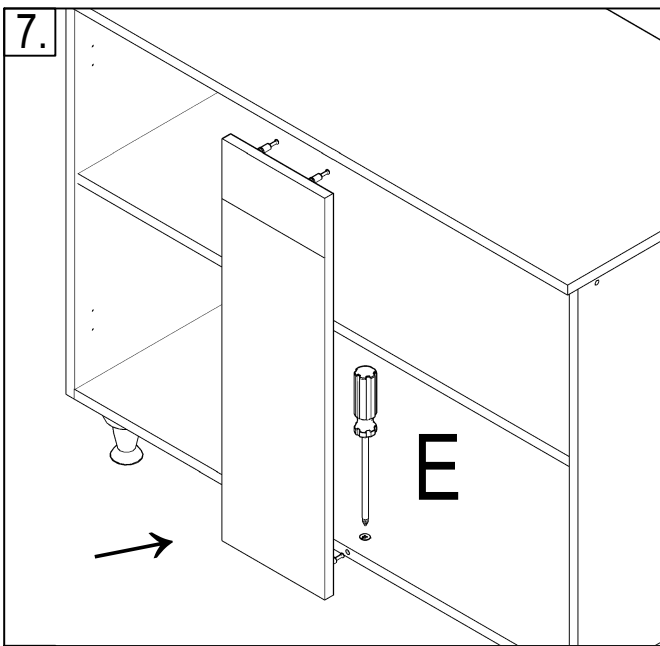


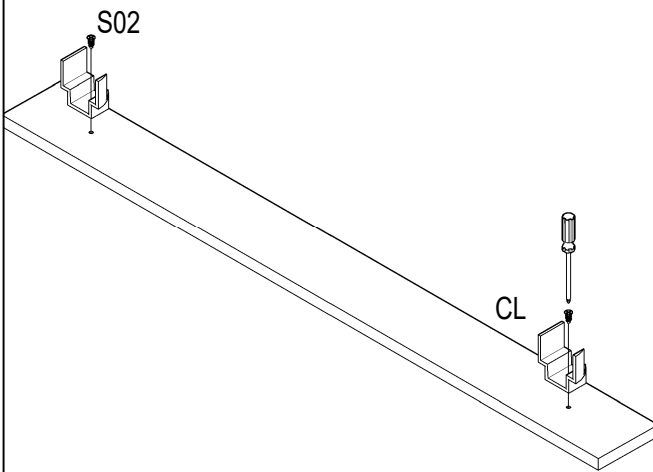
# NR.130





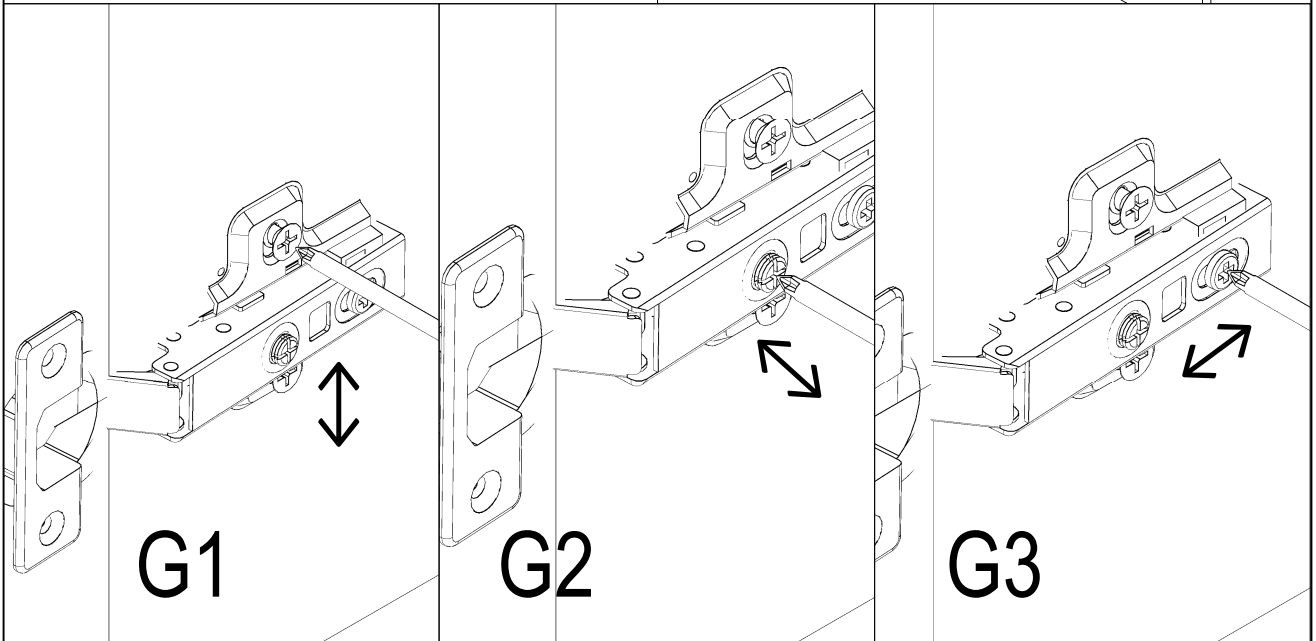
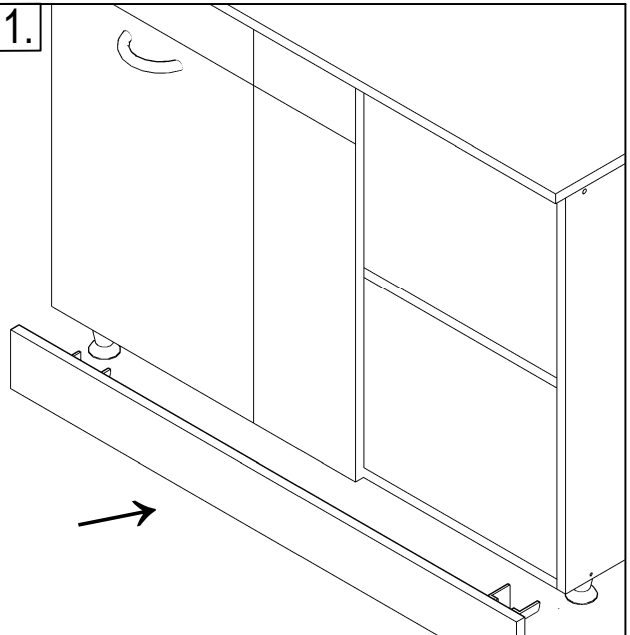


10.



2 X CL  
2 X S02

11.



HEIGHT ADJUSTEMENT

SIDE ADJUSTEMENT

DEPTH ADJUSTEMENT