




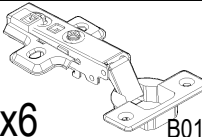
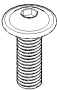
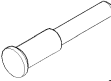

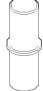


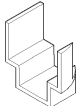
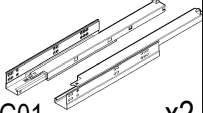
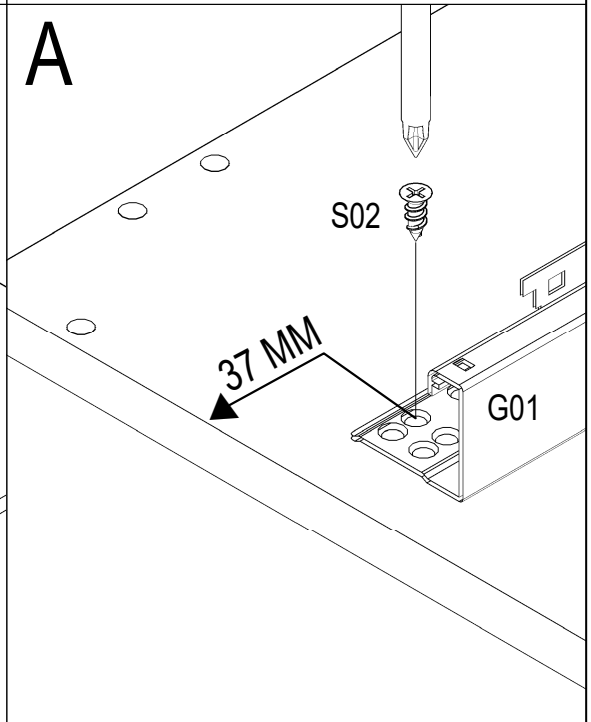
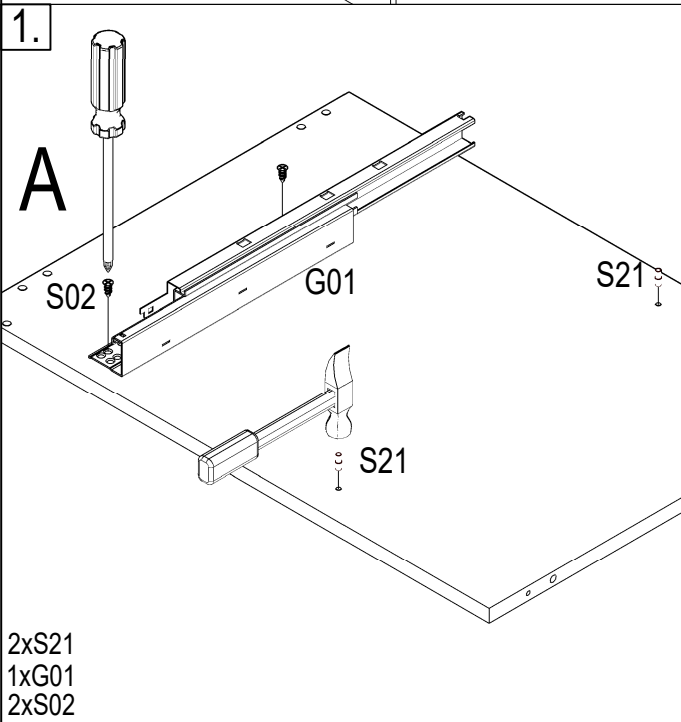
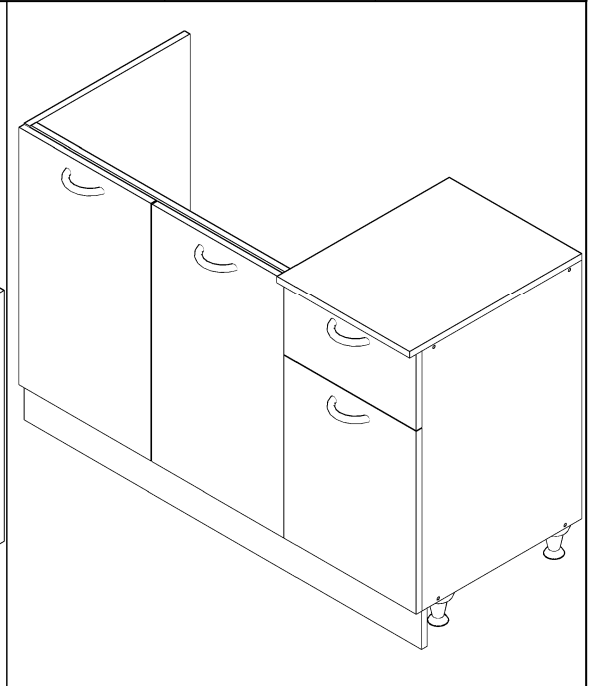
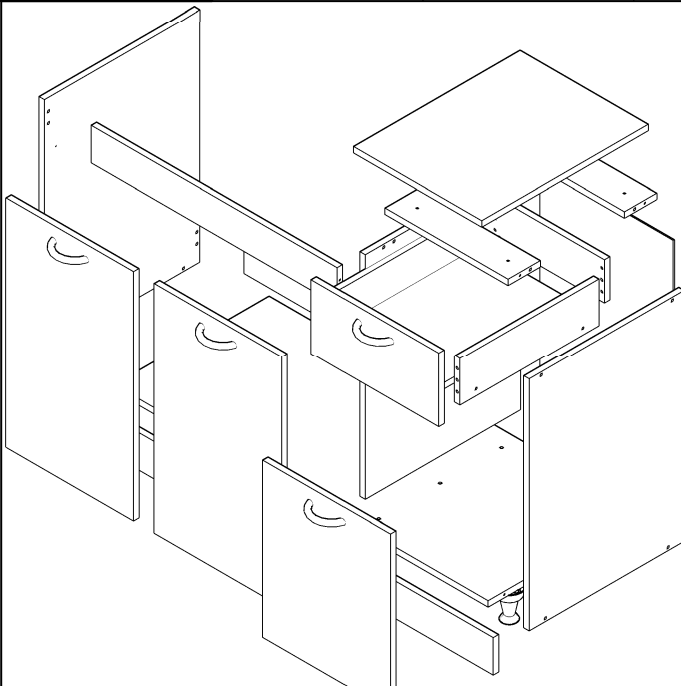
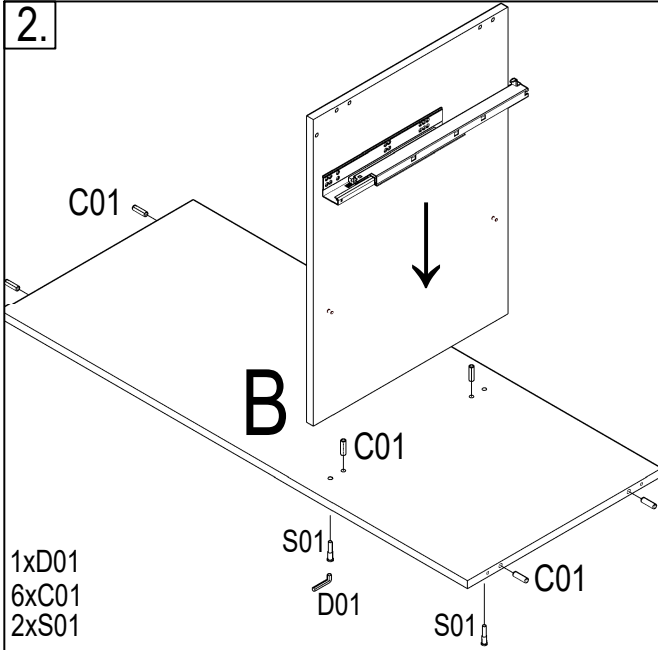


# NR.125

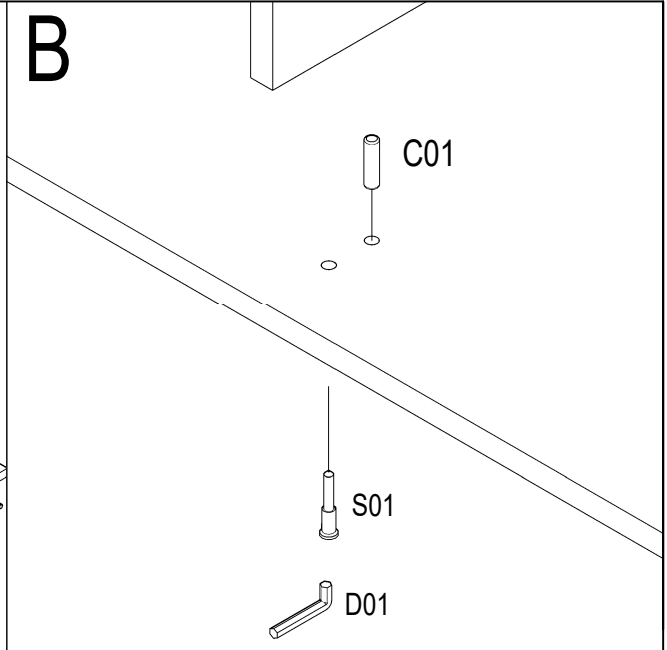
				C10  x4		C11  x4	
S02  3.5x16 x62	S03  3.5x25 x4	D01  x1	B01  x6	S11  M4X22 x8	S01  x18		
M01  x4	S21  x6	C01  x18	P01  x4	CL  x2	G01  x2		



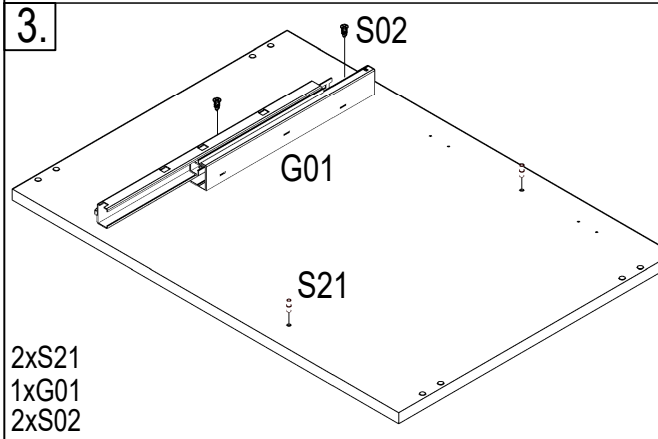
2.



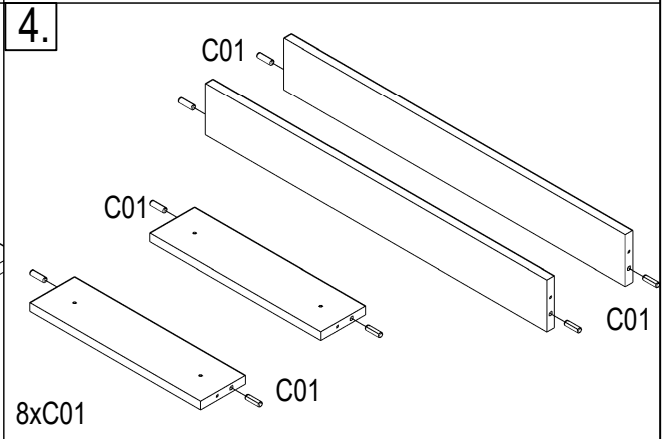
B



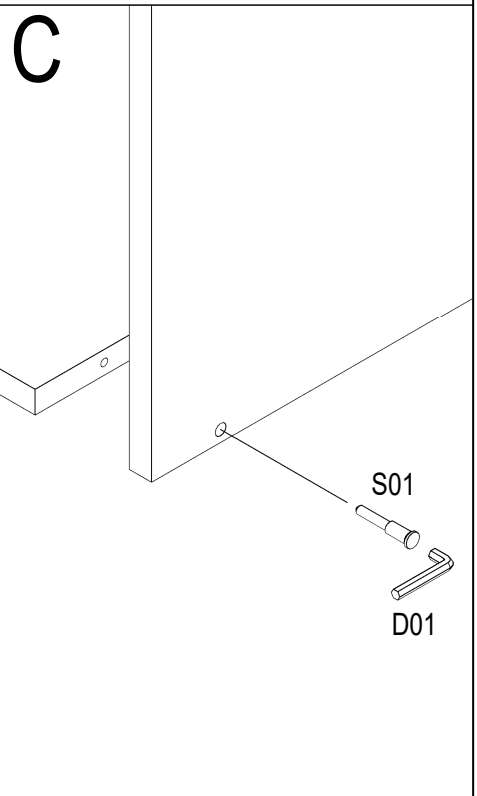
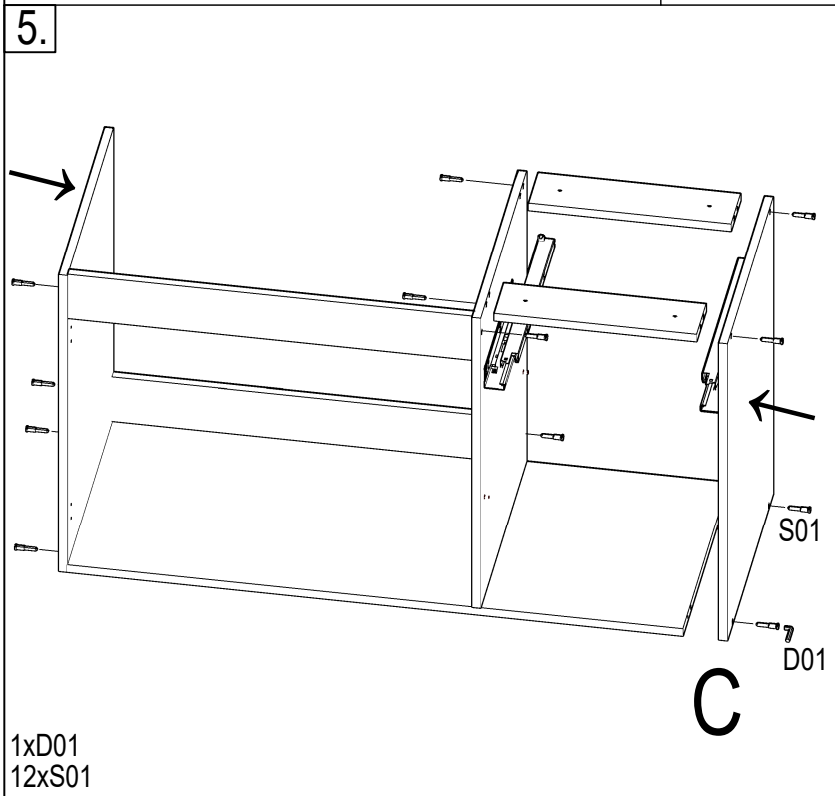
3.



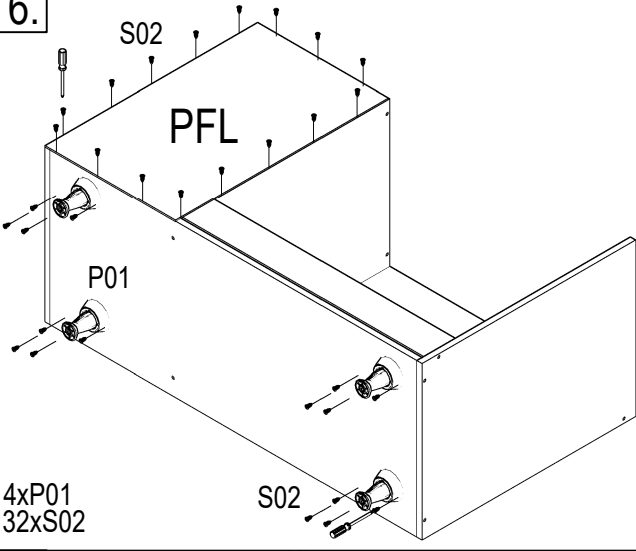
4.



5.

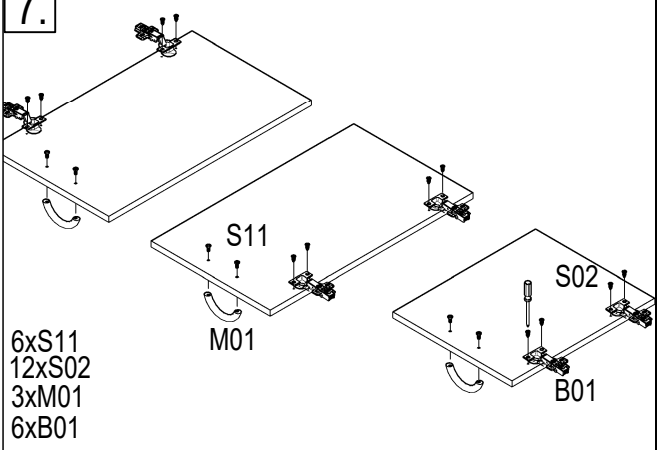


6.



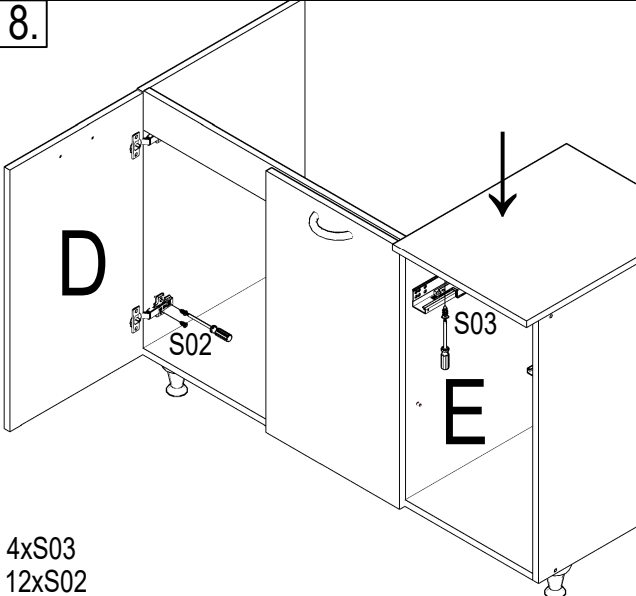
4xP01  
32xS02

7.



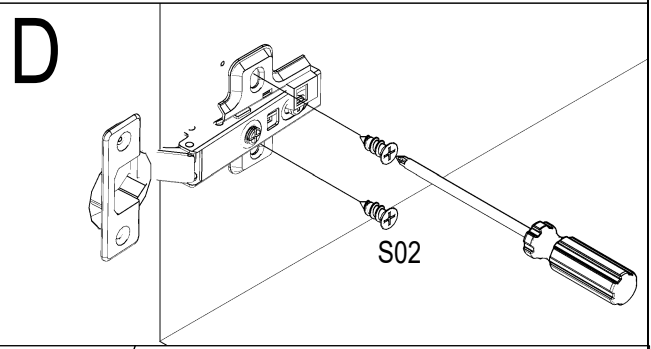
6xS11  
12xS02  
3xM01  
6xB01

8.

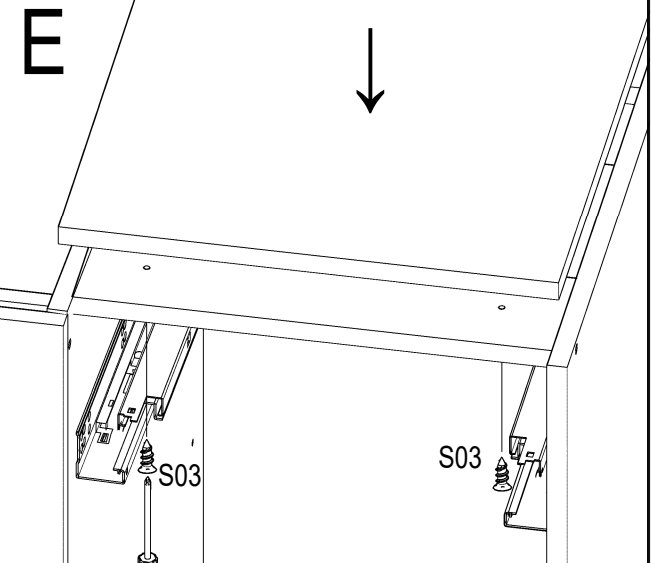


4xS03  
12xS02

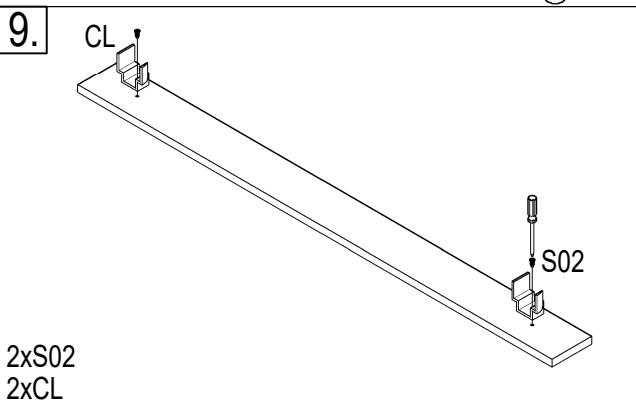
D



E

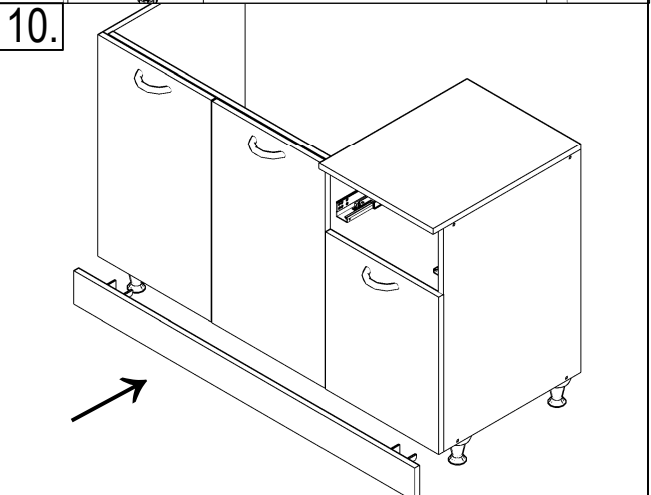


9.



2xS02  
2xCL

10.

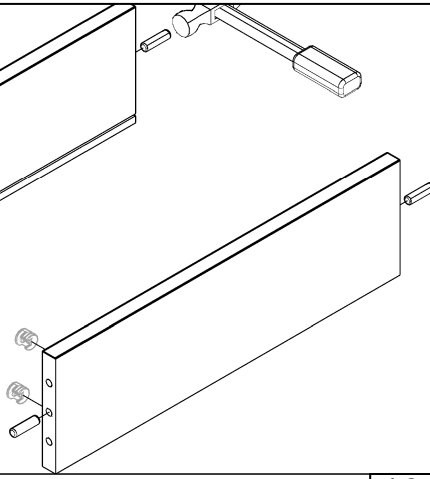


11.

F

C01 C11

4xC11  
4xC01

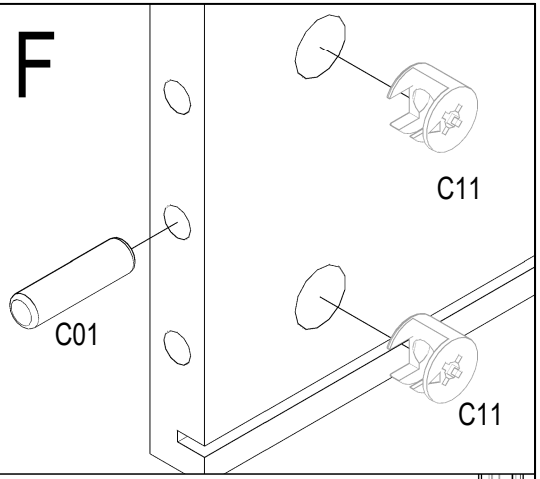


F

C01

C11

C11



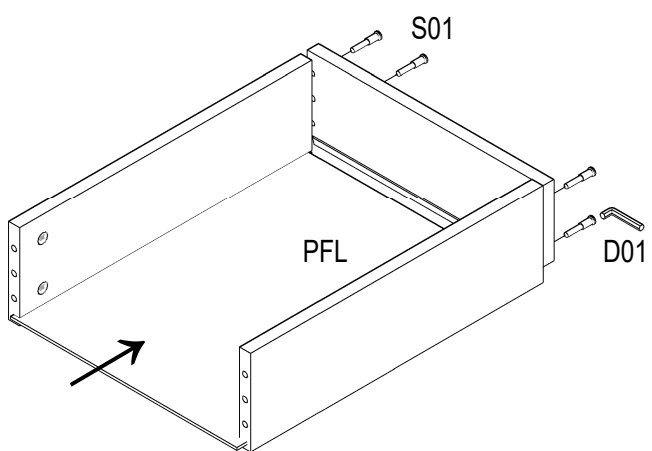
12.

S01

PFL

D01

1xD01  
4xS01



13.

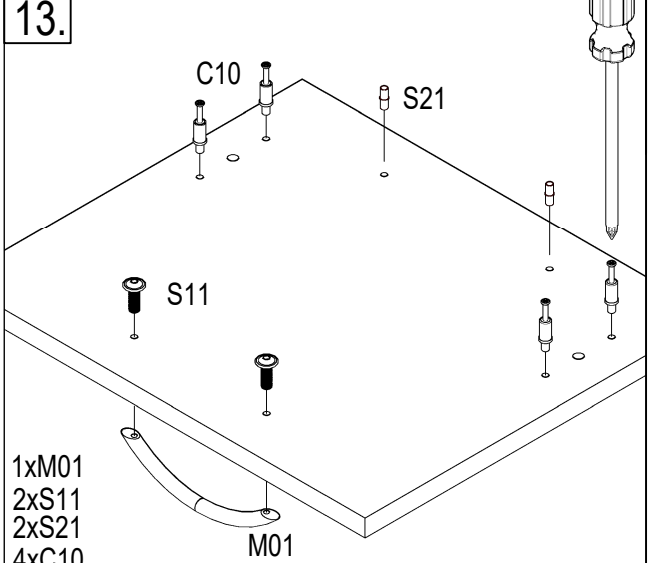
C10

S21

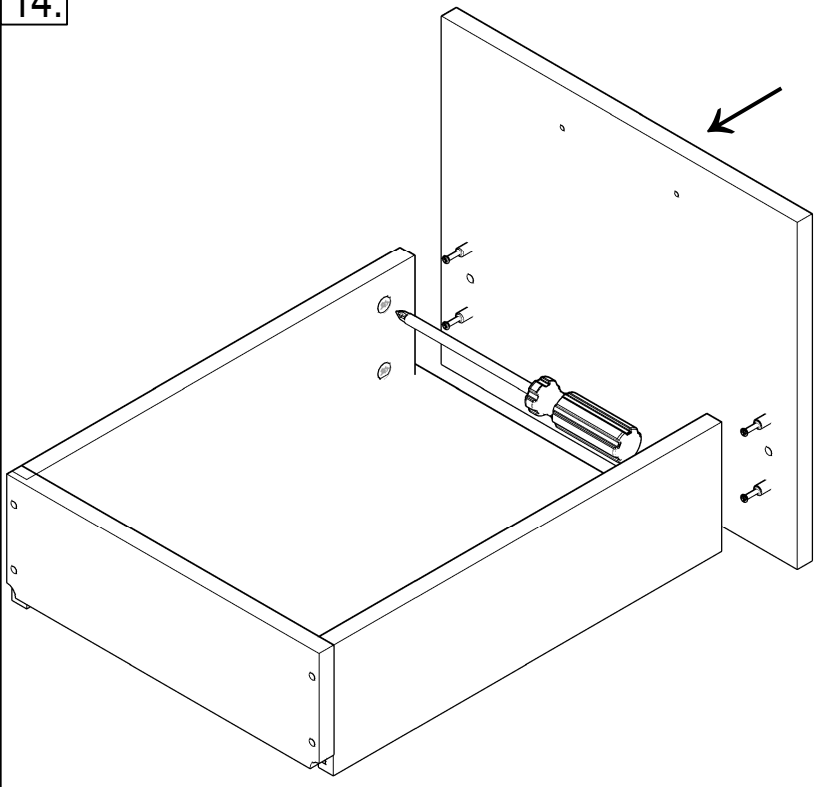
S11

1xM01  
2xS11  
2xS21  
4xC10

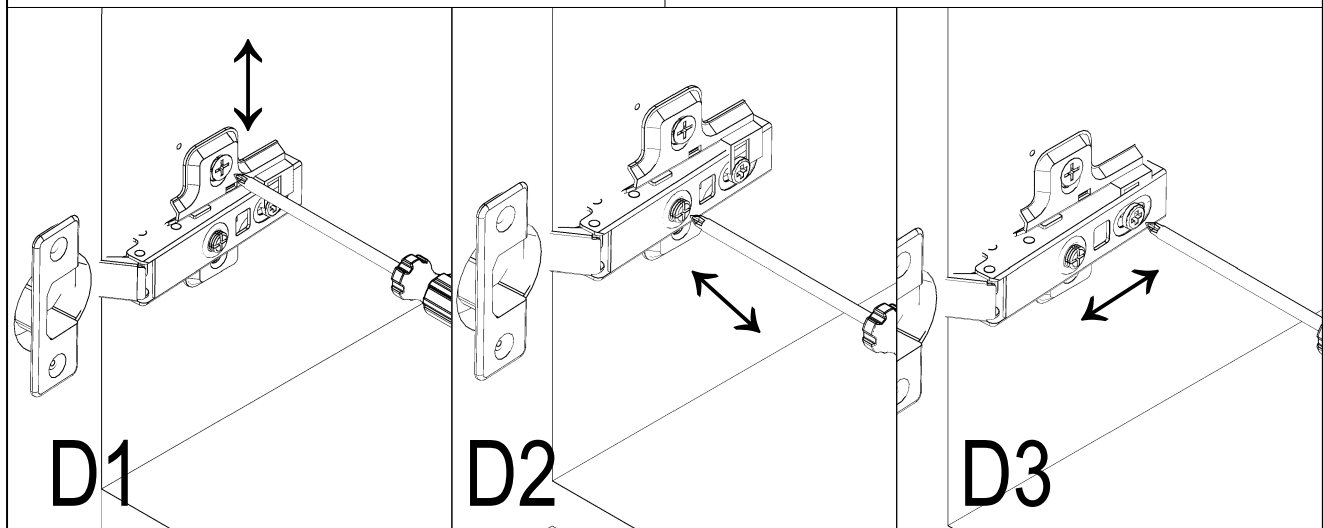
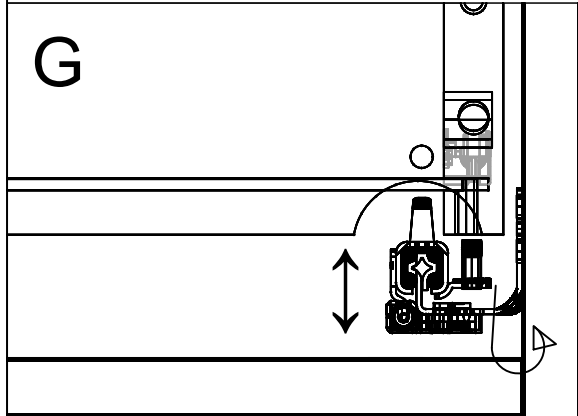
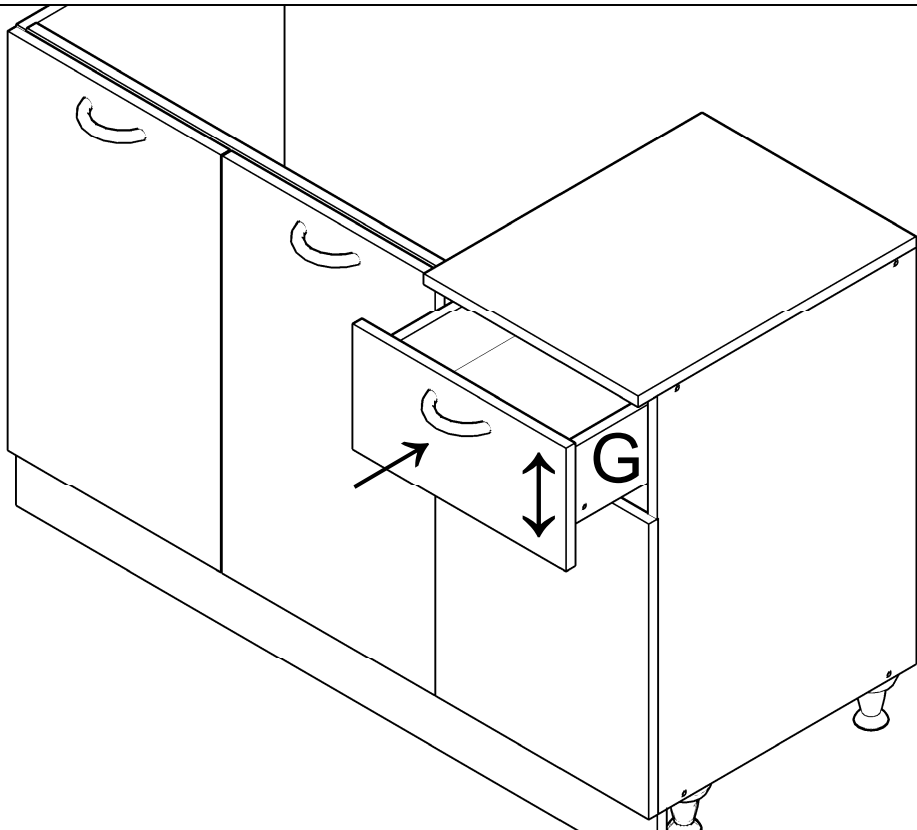
M01



14.



15.



HEIGHT ADJUSTMENT    SIDE ADJUSTMENT    DEPTH ADJUSTMENT