



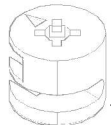
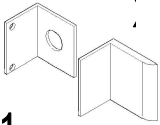
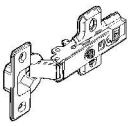

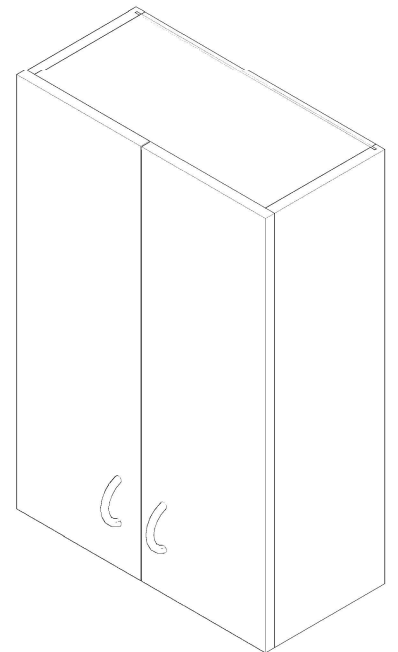
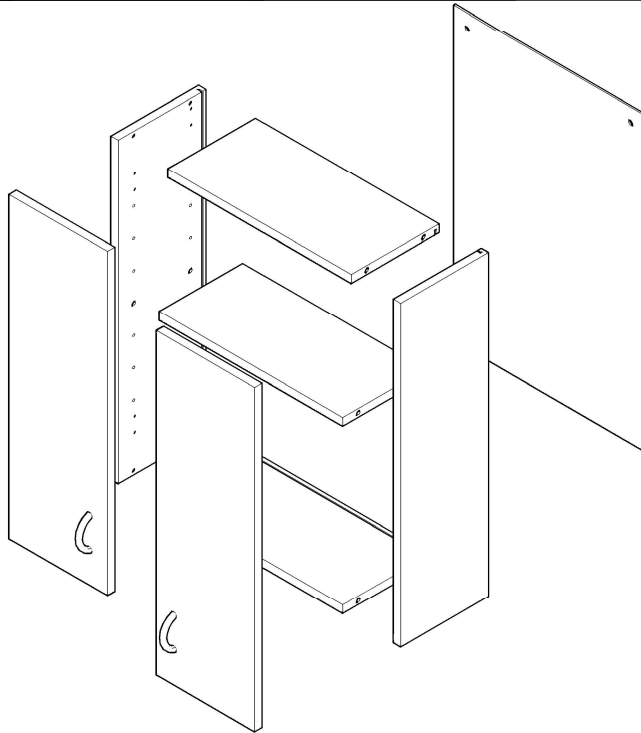
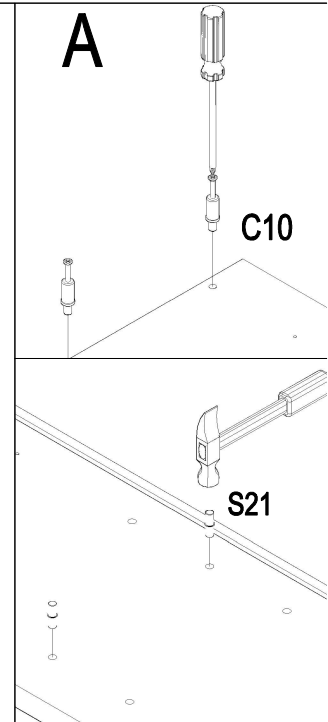
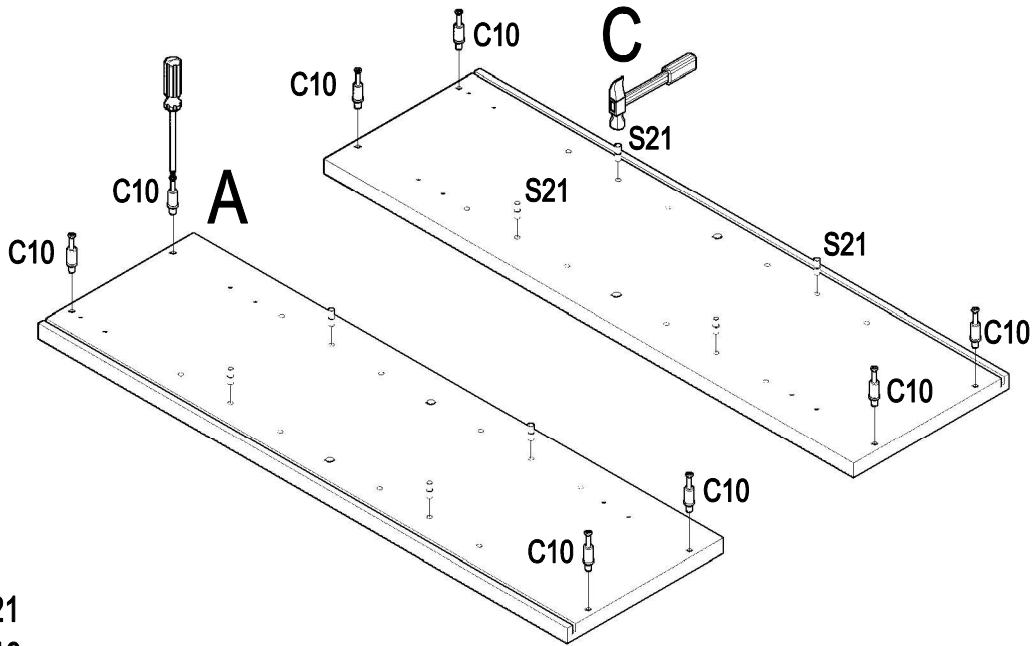


NR.15

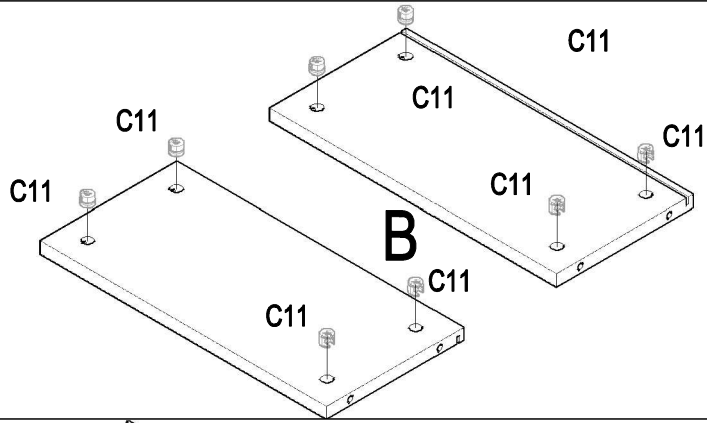
<p>3.5x16</p>  <p>S01</p> <p>x24</p>	<p>M4x22</p>  <p>S11</p> <p>x4</p>	 <p>S21</p> <p>x8</p>	 <p>C10</p> <p>x8</p>	 <p>C11</p> <p>x8</p>	 <p>A01</p>
 <p>B01</p> <p>x4</p>	 <p>M01</p> <p>x2</p>				



1.

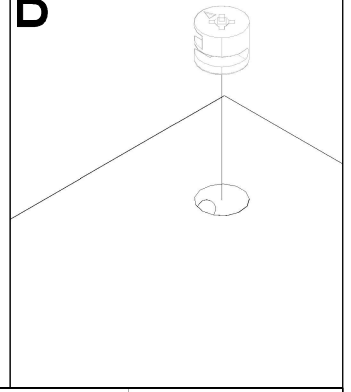


2.



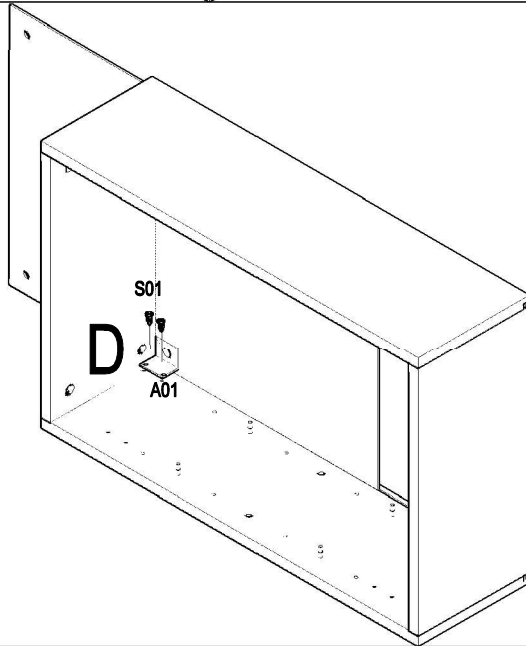
8xC11

B



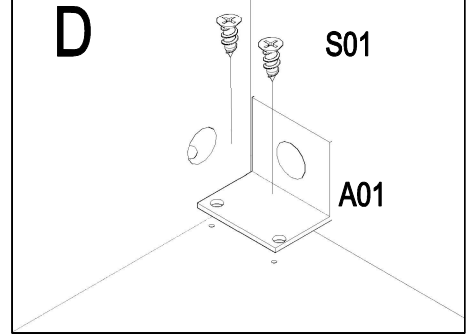
3.

→
PFL

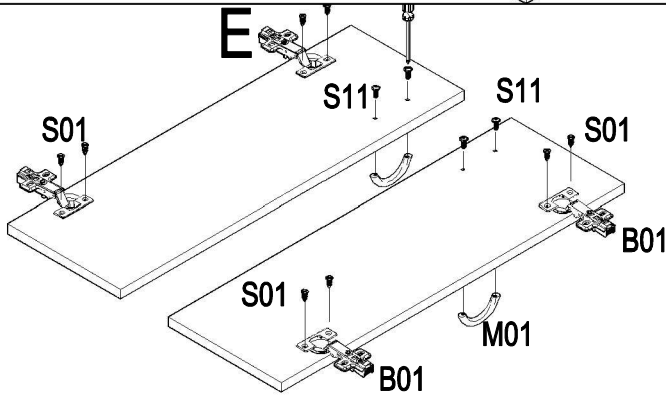


2xA01
4xS01

D



4.

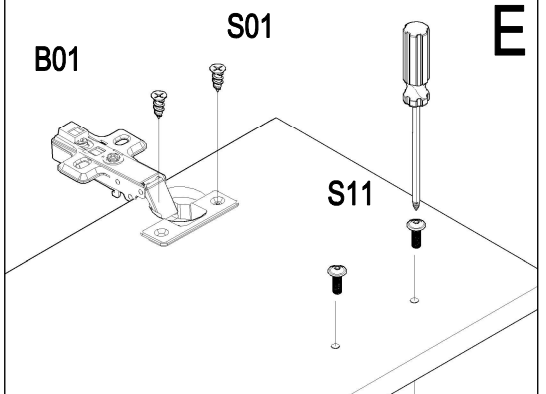


2xM01
4xS11
8xS01
4xB01

B01

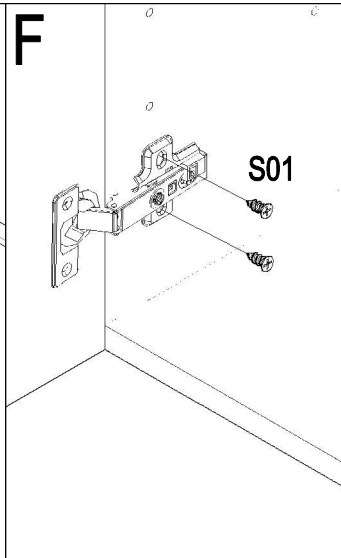
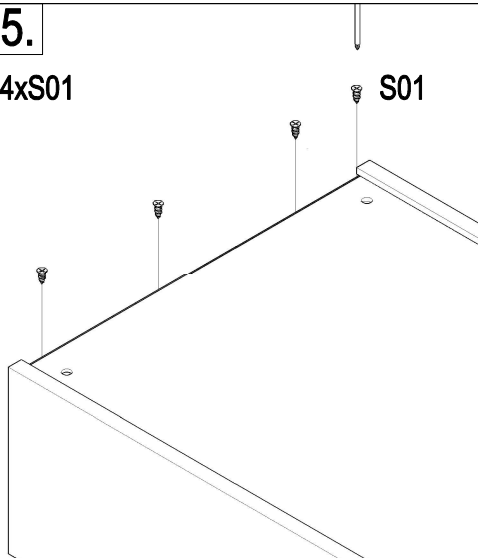
S01

E

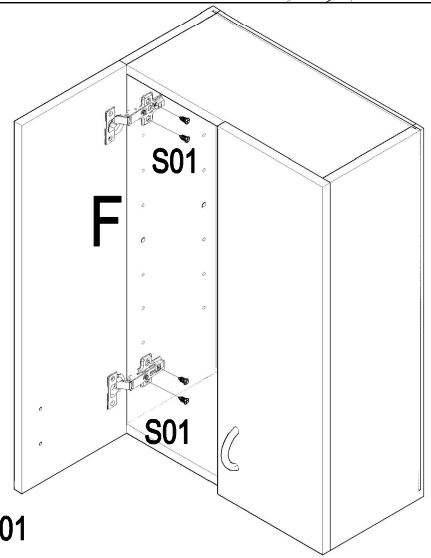


5.

4xS01



6.



8xS01