
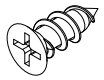

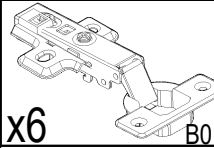
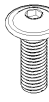
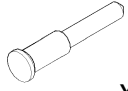




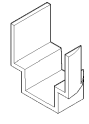
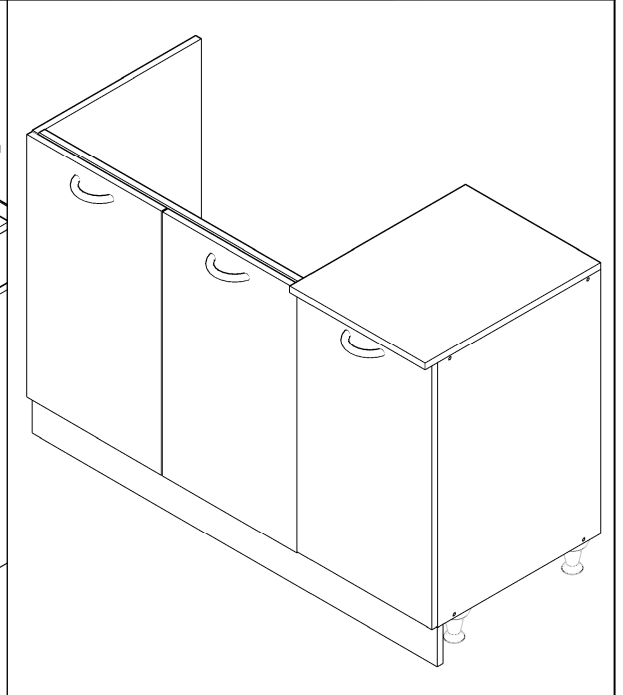
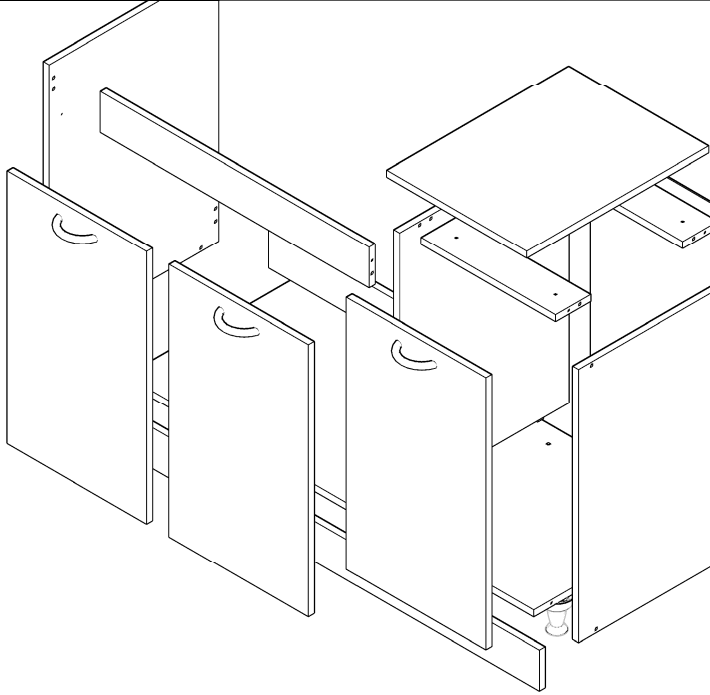
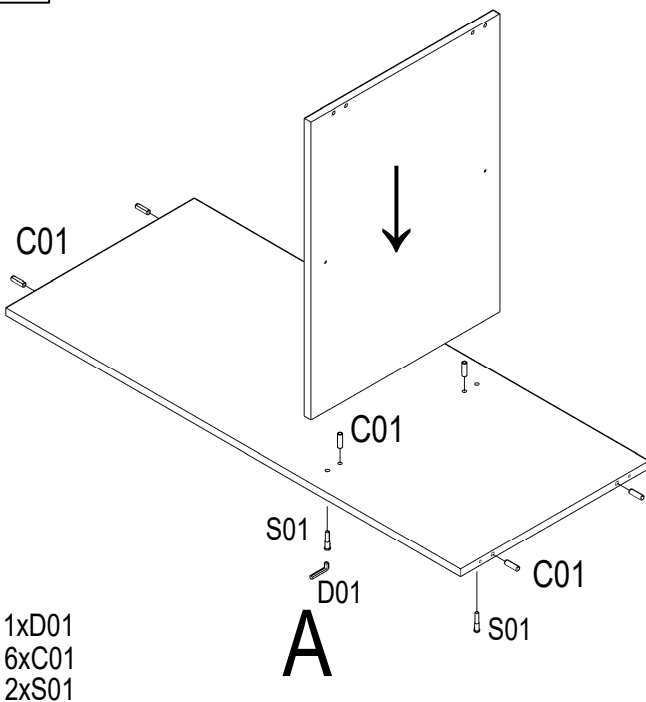


NR.105

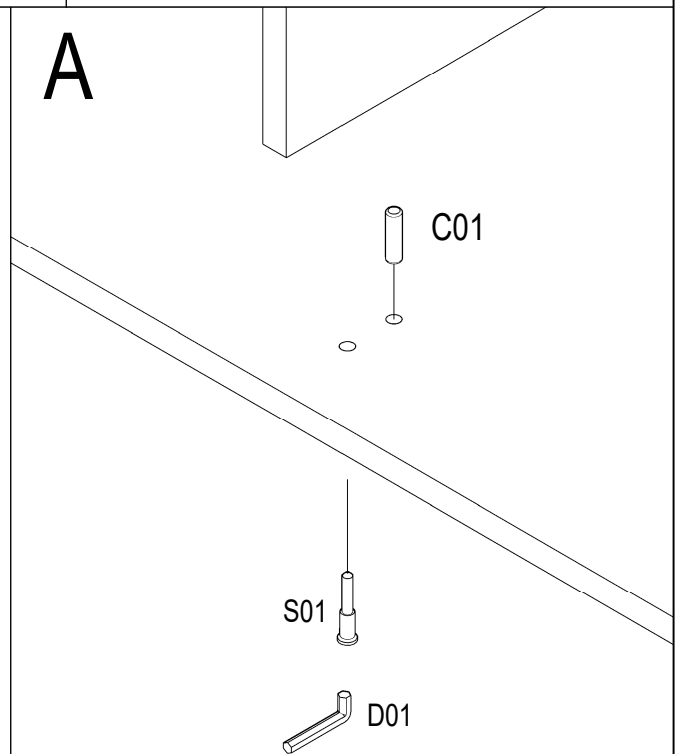
 3.5x16 S02 x58	 3.5x25 S03 x4	 D01 x1	 x6	 M4X22 S11 x6	 S01 x14
 M01 x3	 S21 x4	 C01 x14	 P01 x4	 CL x2	



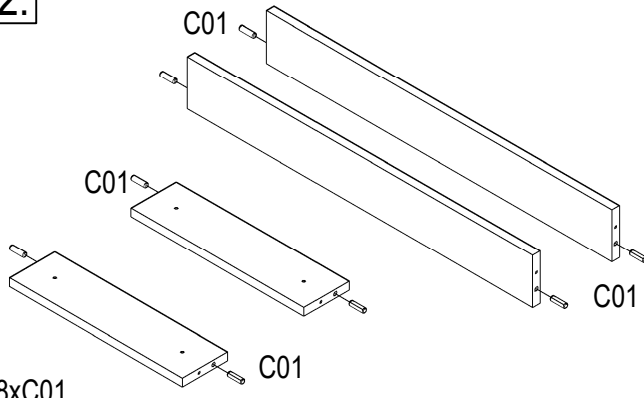
1.



A

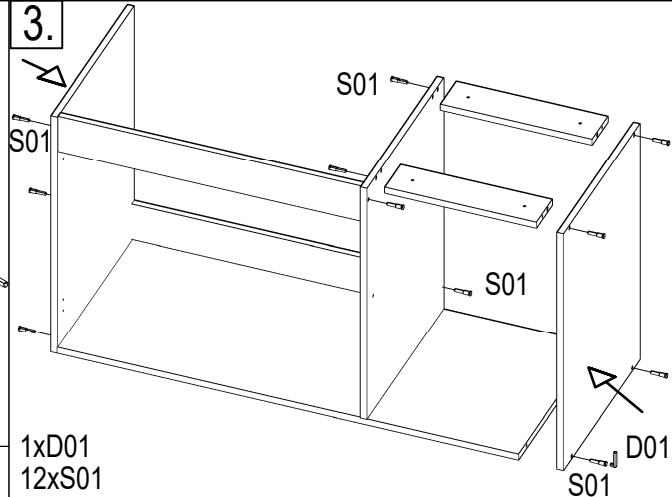


2.



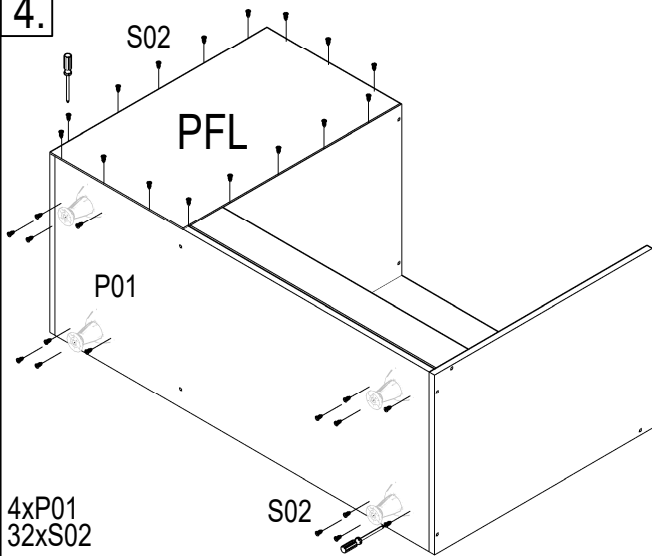
8xC01

3.



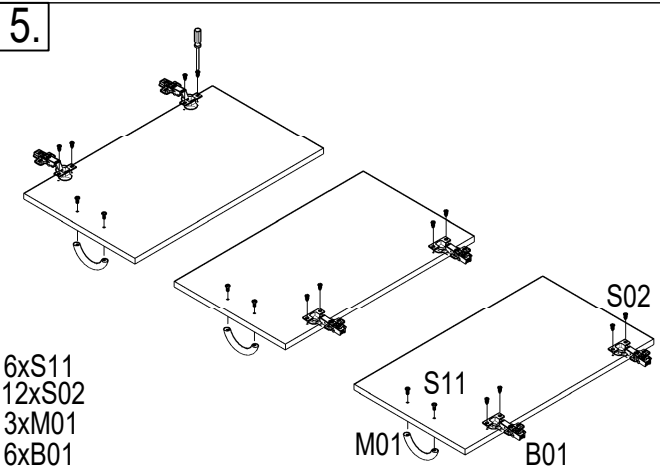
1xD01
12xS01

4.



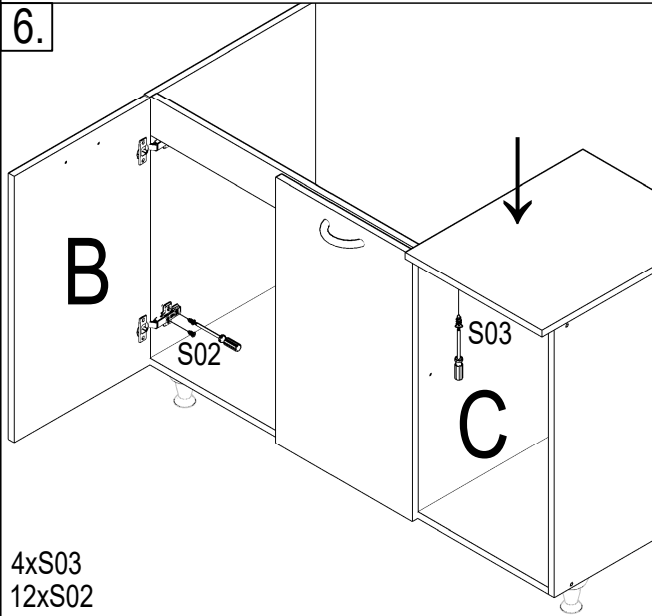
4xP01
32xS02

5.



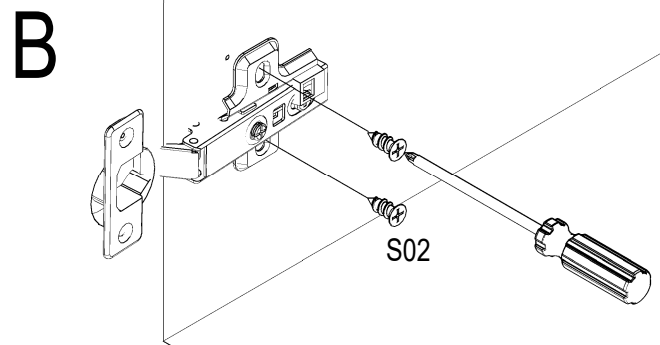
6xS11
12xS02
3xM01
6xB01

6.

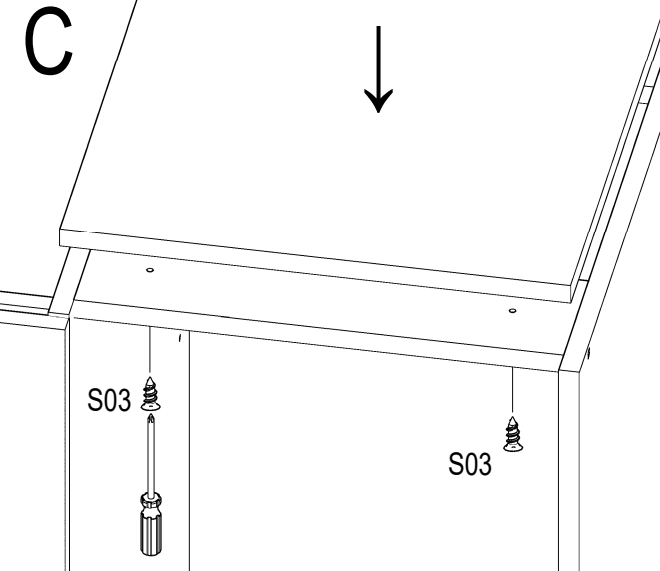


4xS03
12xS02

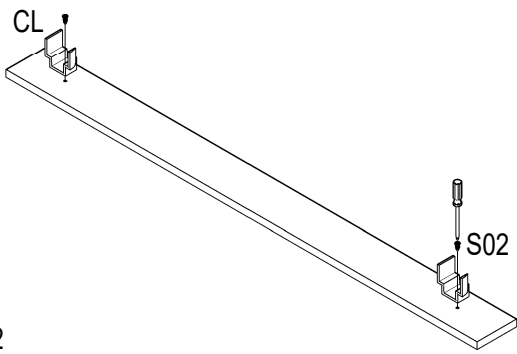
B



C

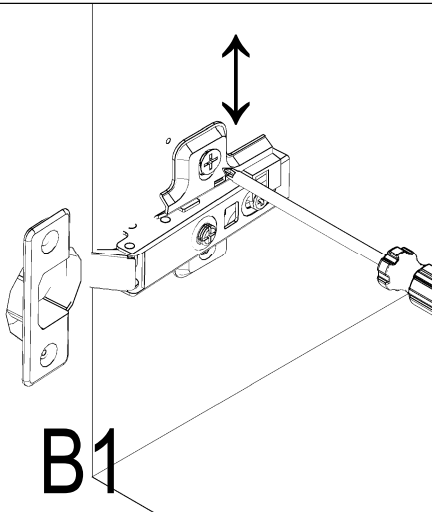
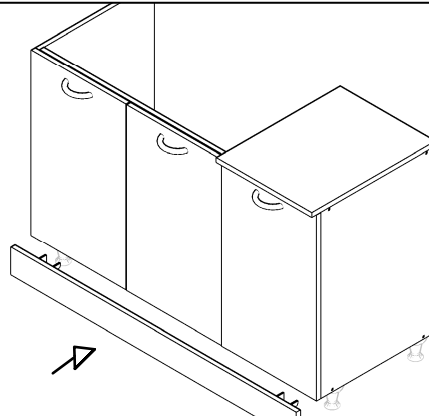


7.

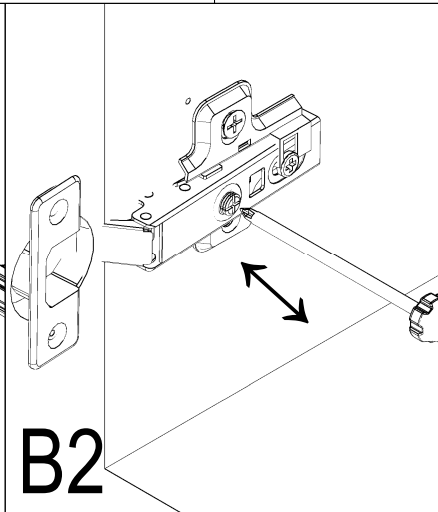


2xS02
2xCL

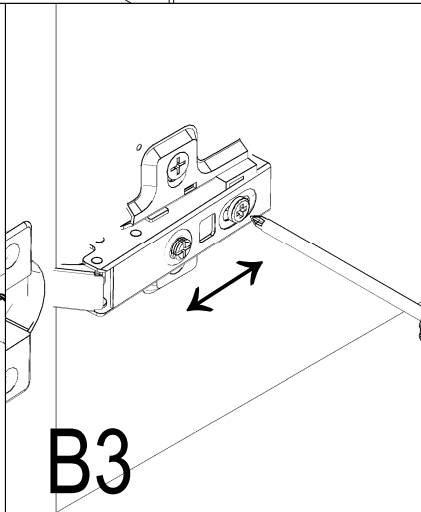
8.



B1



B2



B3

HEIGHT ADJUSTMENT

SIDE ADJUSTMENT

DEPTH ADJUSTMENT