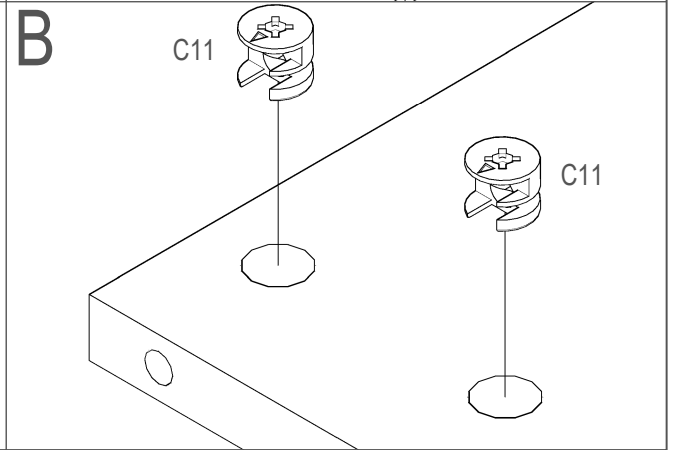
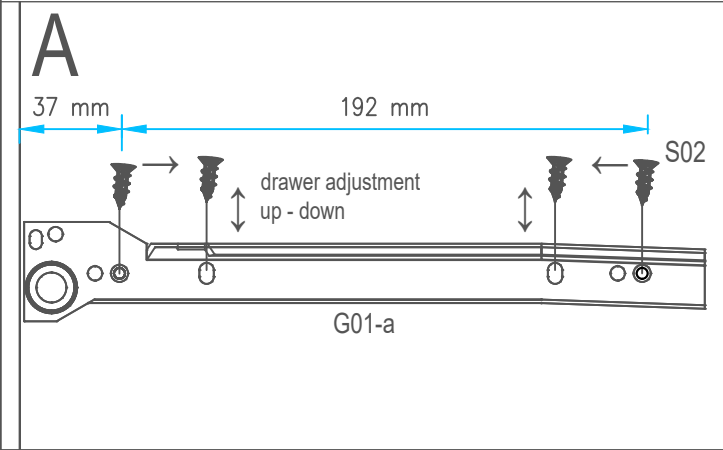
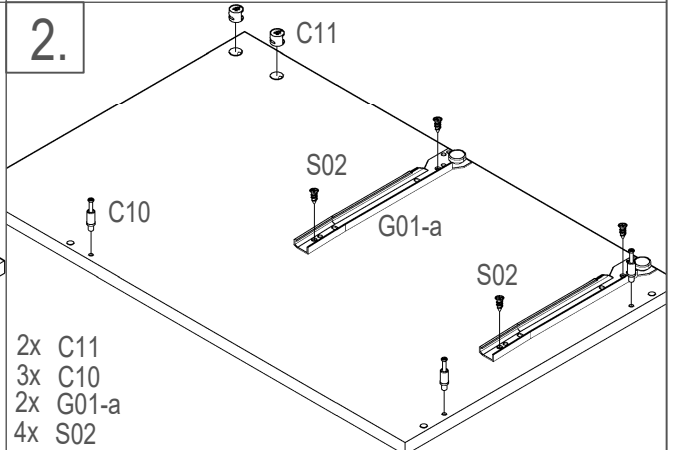
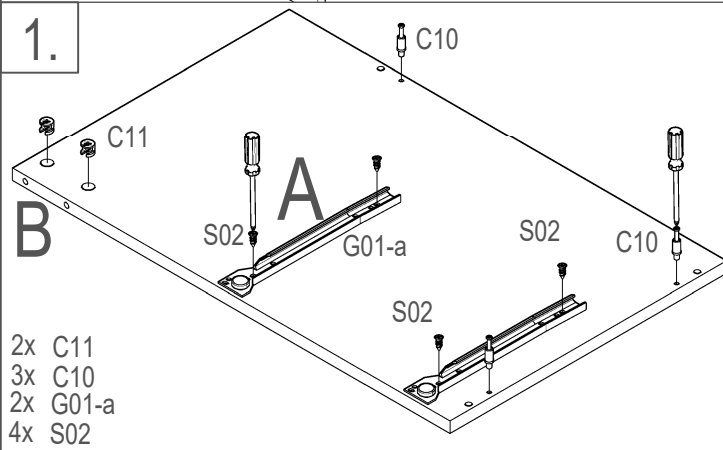
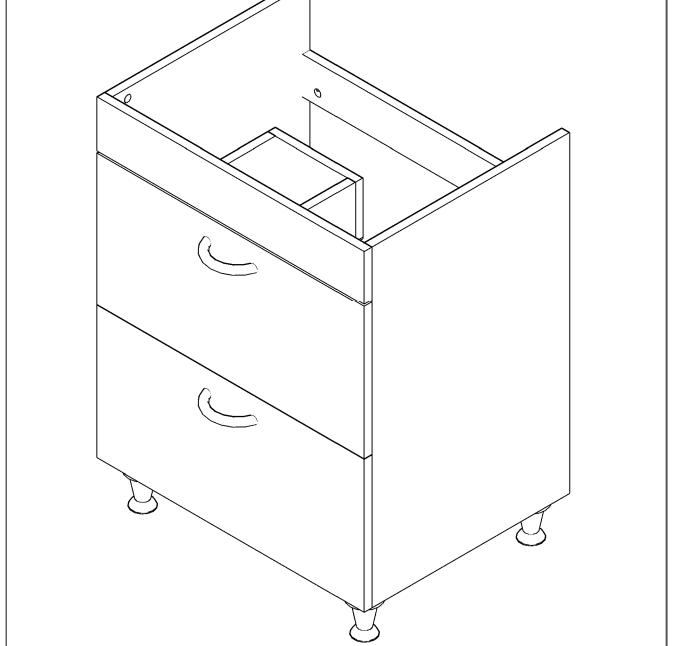
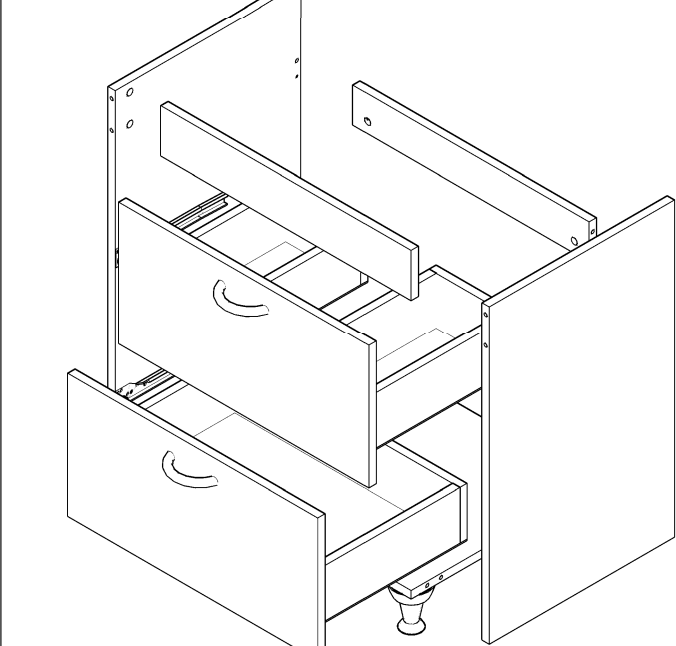
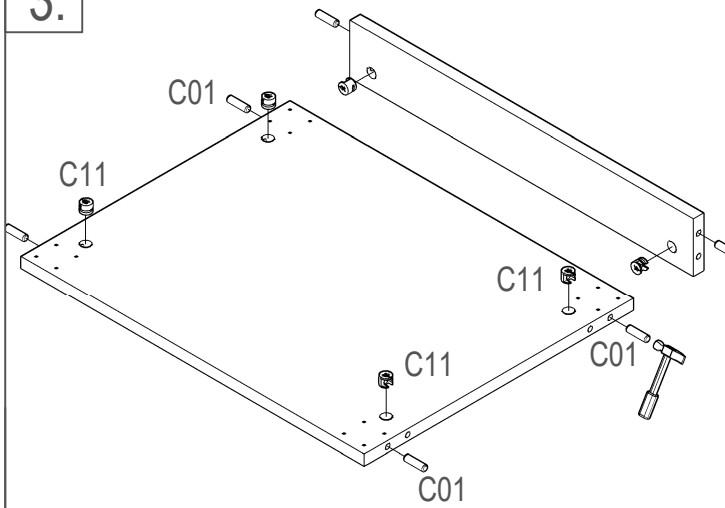


NR.132

<p>S01 7x50 x6</p>	<p>S02 3.5x16 x47</p>	<p>S11 M4x20 x4</p>	<p>C01 x18</p>	<p>M01 x 2</p>	<p>D01 x1</p>
<p>C10 x22</p>	<p>C11 x22</p>	<p>G01-a G01-b G01 x2</p>	<p>P02 x4</p>		

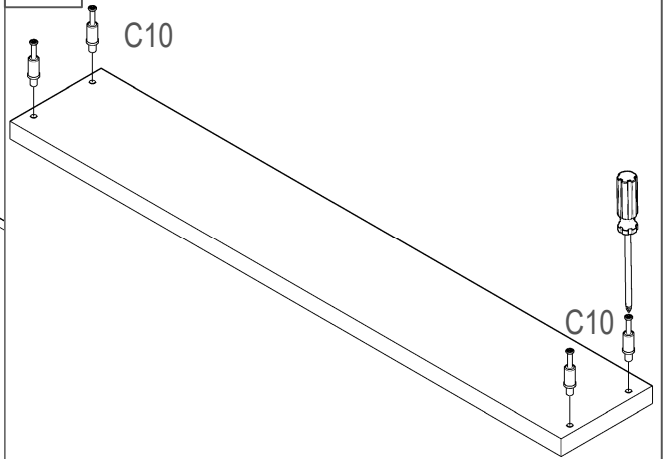


3.



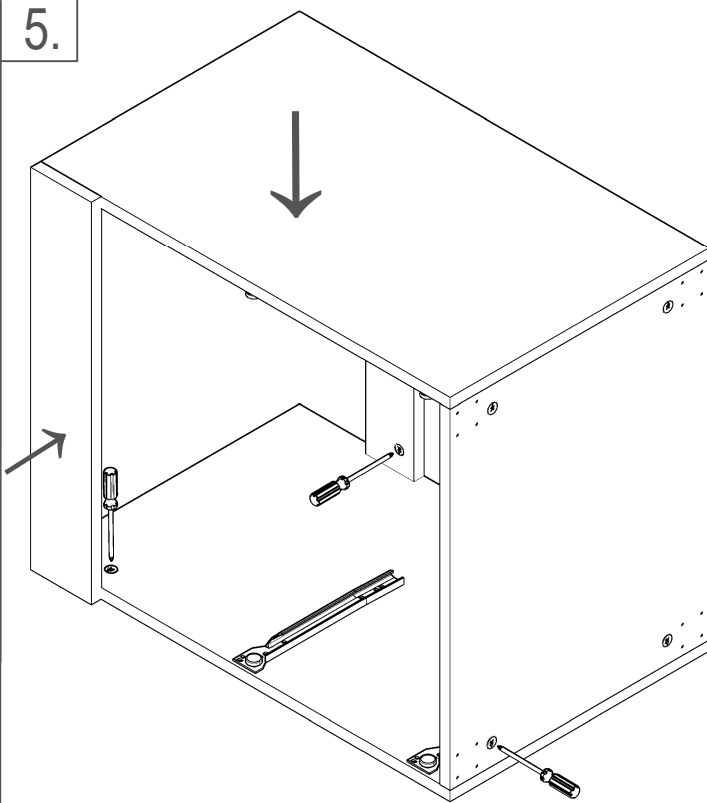
6 X C01
6 X C11

4.

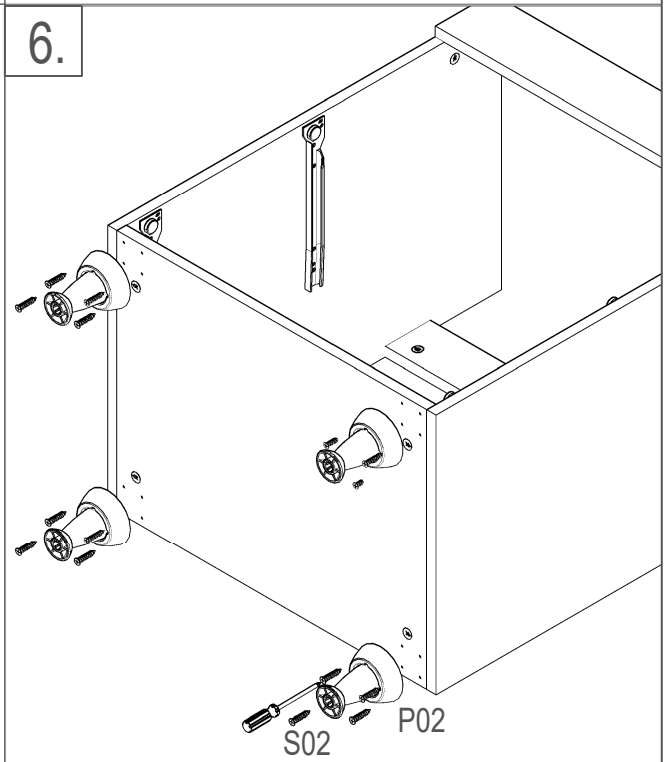


4 X C10

5.

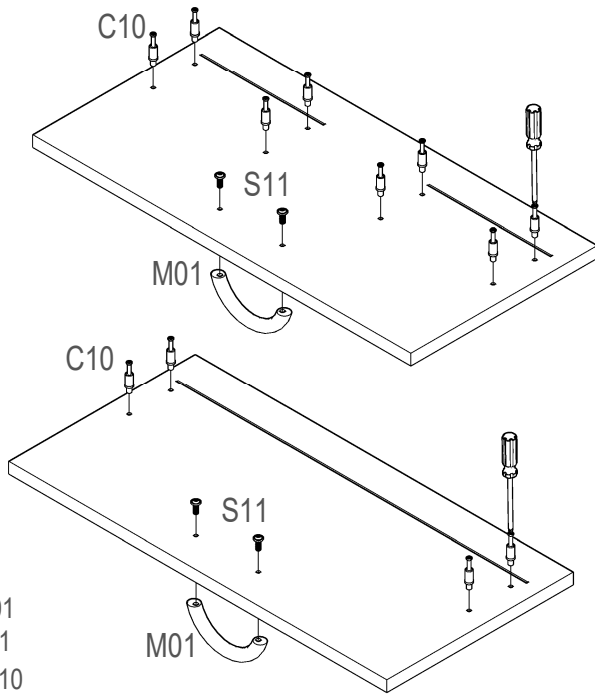


6.



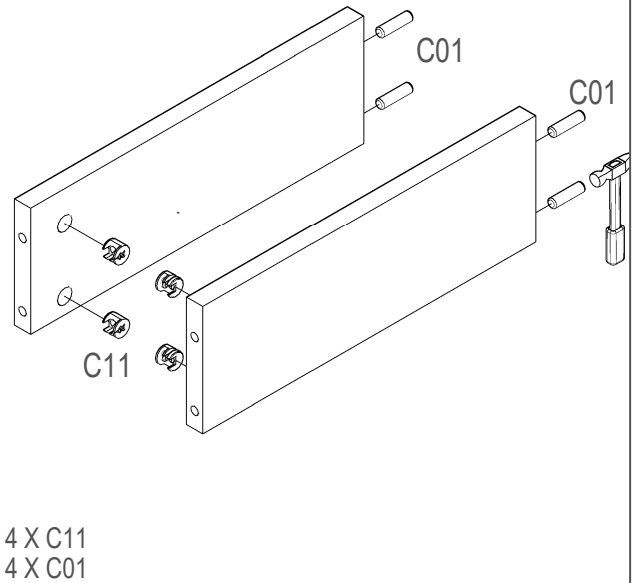
16 X S02
4 X P02

7.



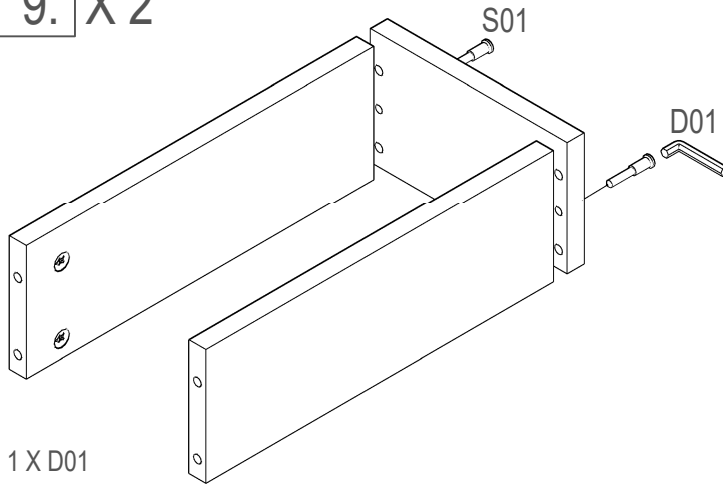
2 X M01
2 X S21
12 X C10

8. X 3



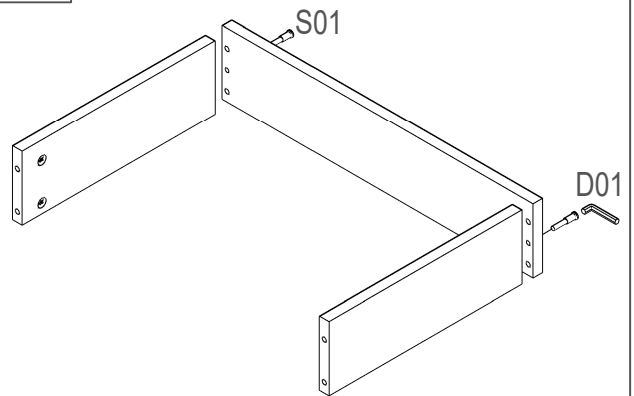
4 X C11
4 X C01

9. X 2



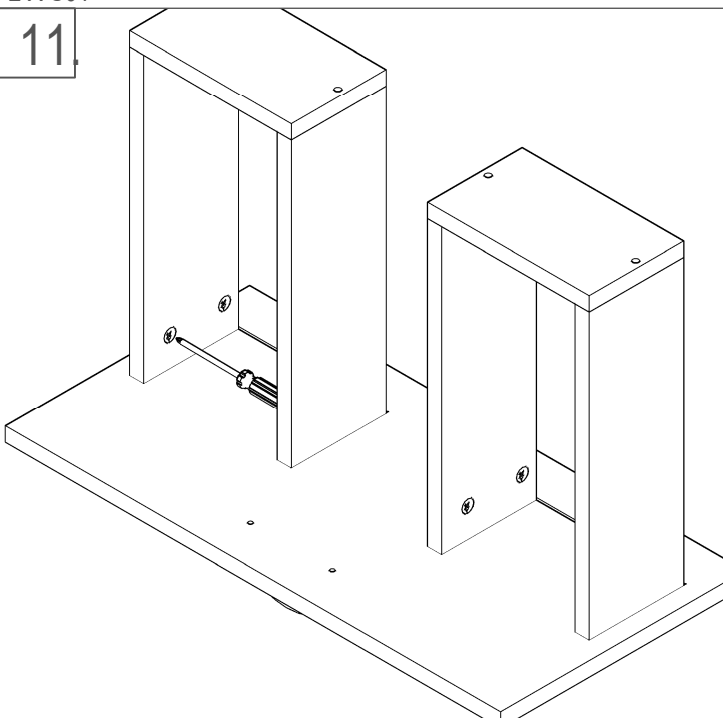
1 X D01
2 X S01

10.

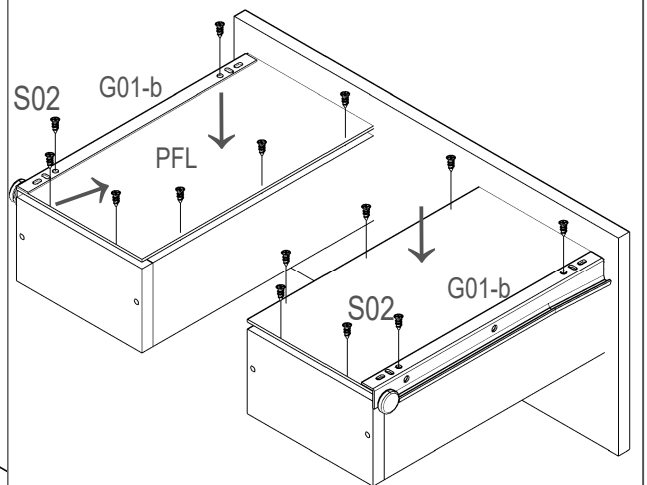


1 X D01
2 X S01

11.

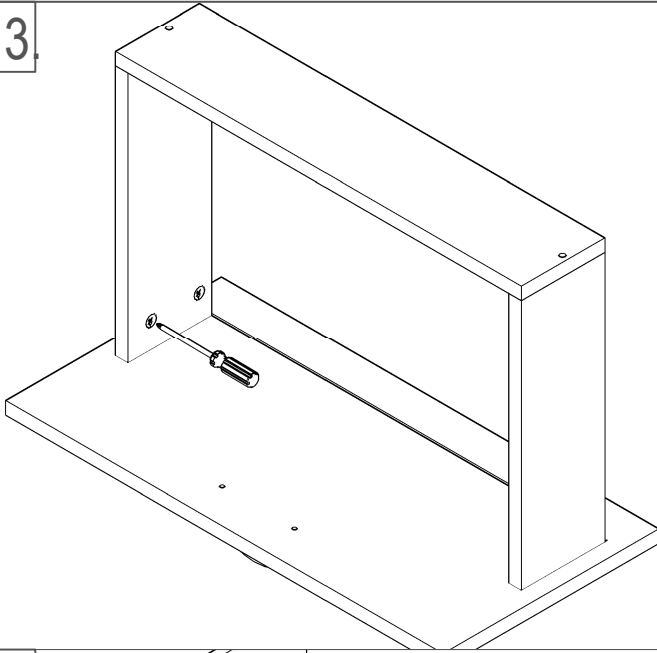


12.

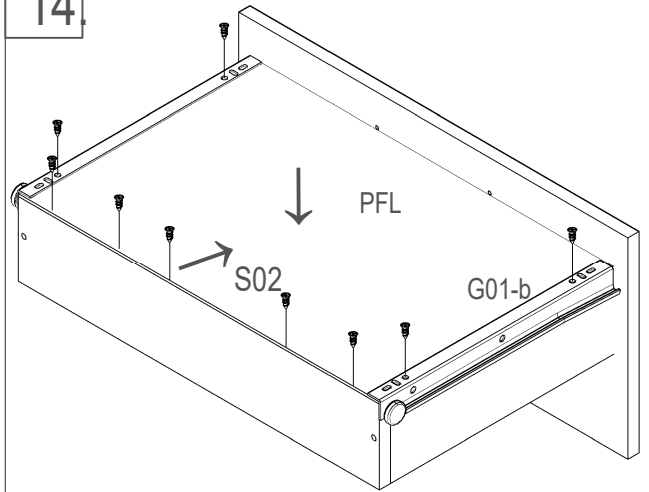


2x G01-b
14x S02

13.



14.



2x G01-b
9x S02

15.

