





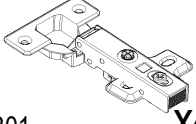

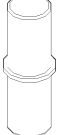
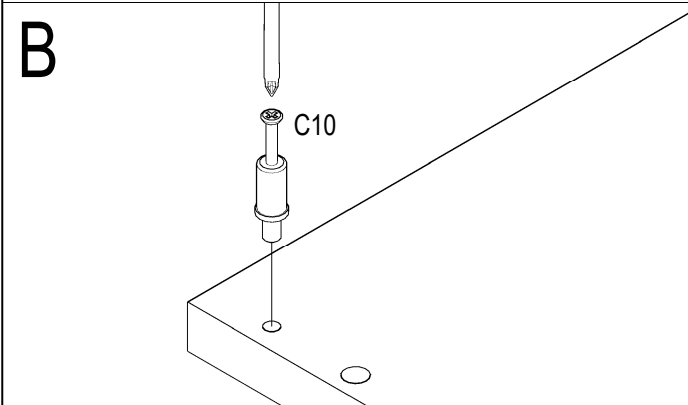
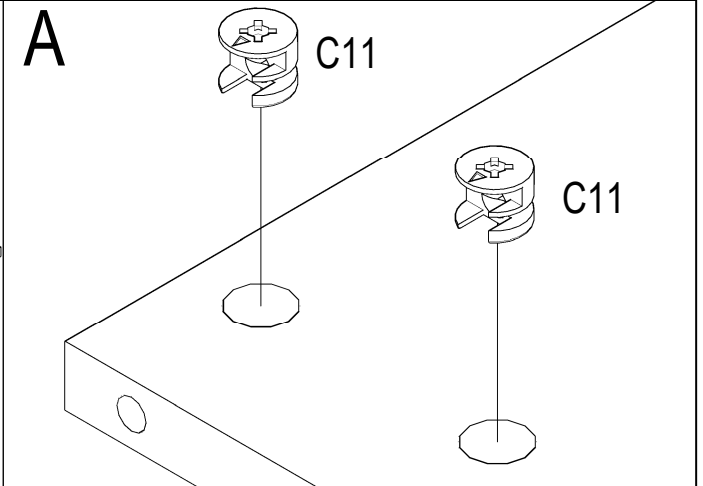
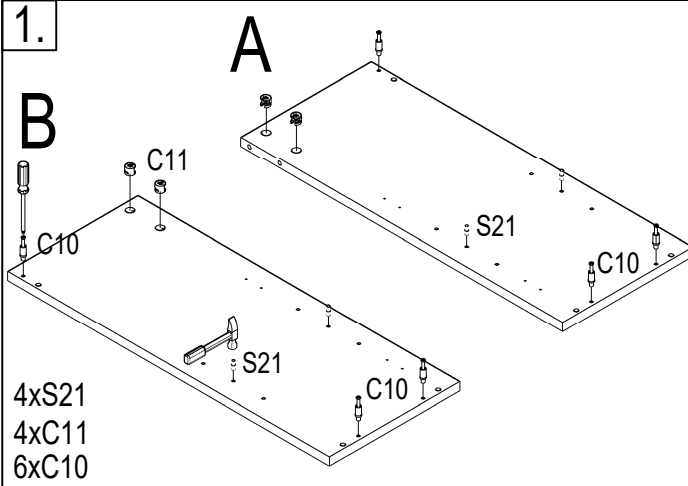
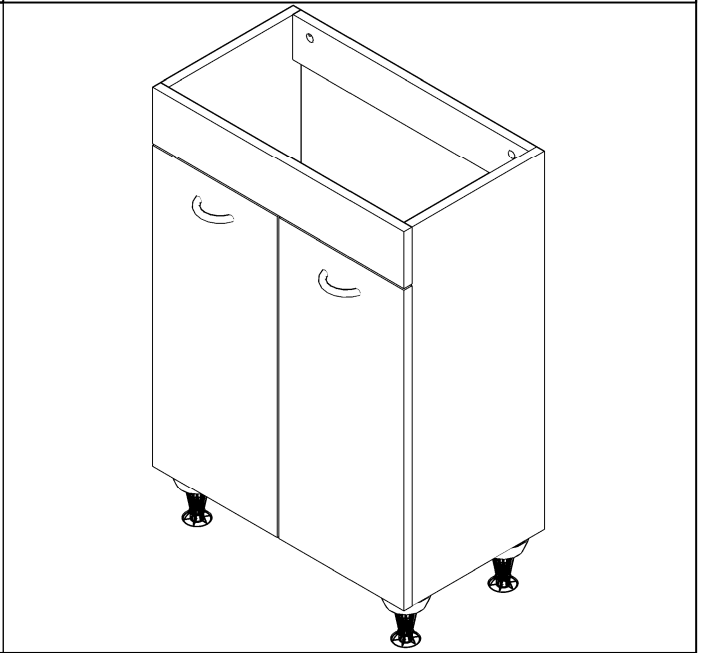
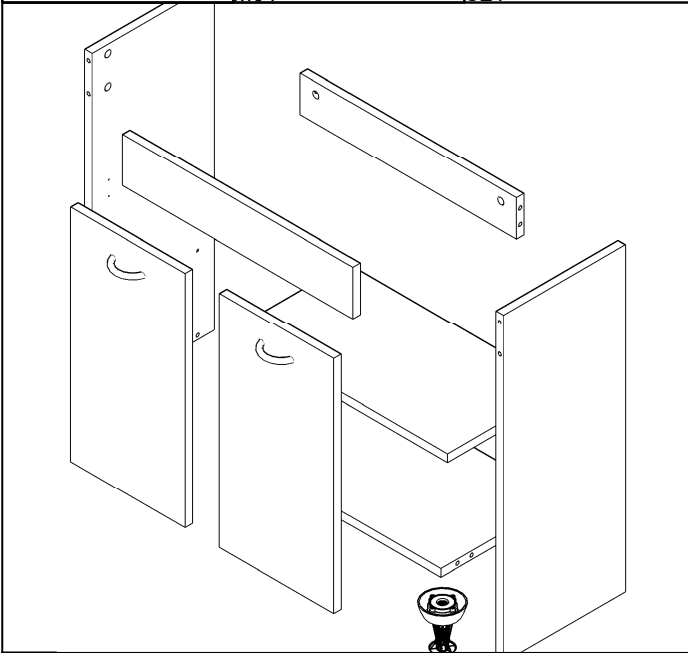
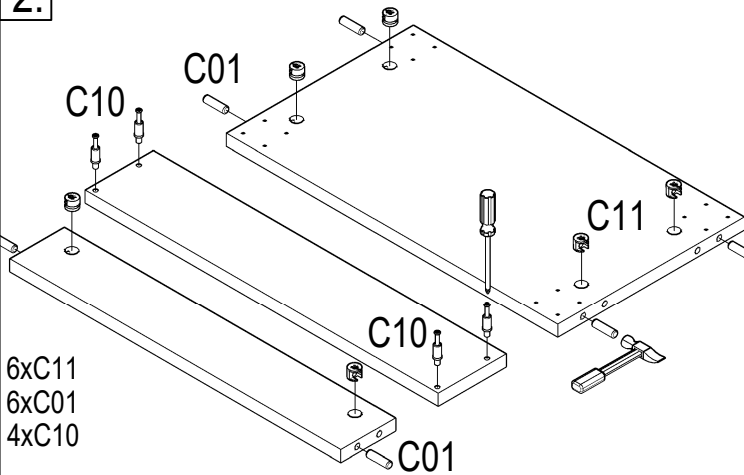


NR.22

 3.5x16 S02 x32	 M4x22 S11 x4	 C01 x6	 C10 x10	 C11 x10	 P01 x4
 B01 x4	 M01 x2	 S21 x4			

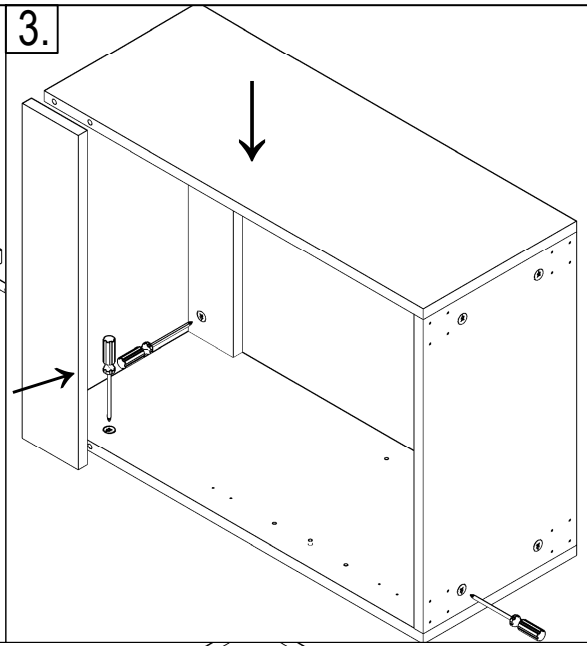


2.

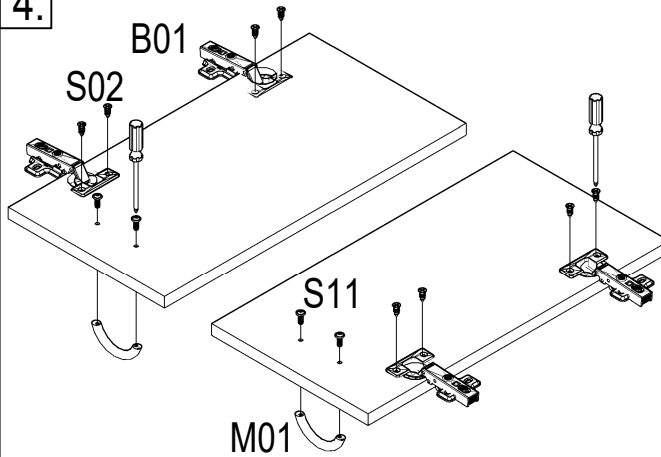


6xC11
6xC01
4xC10

3.

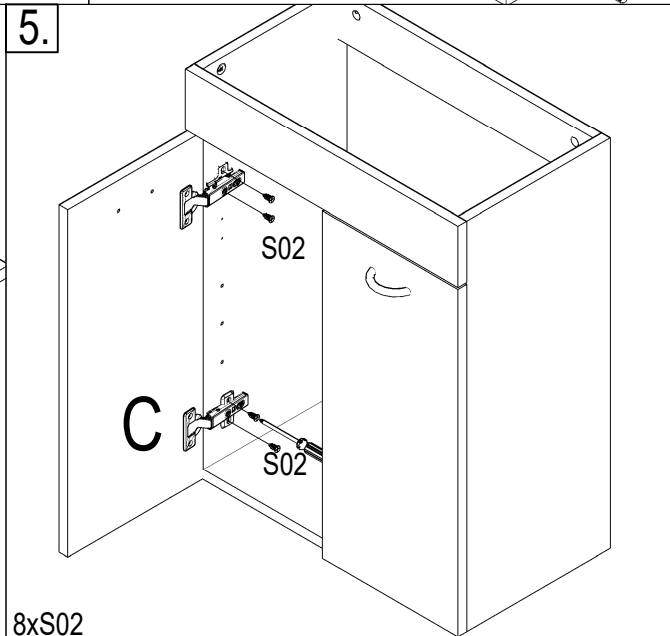


4.



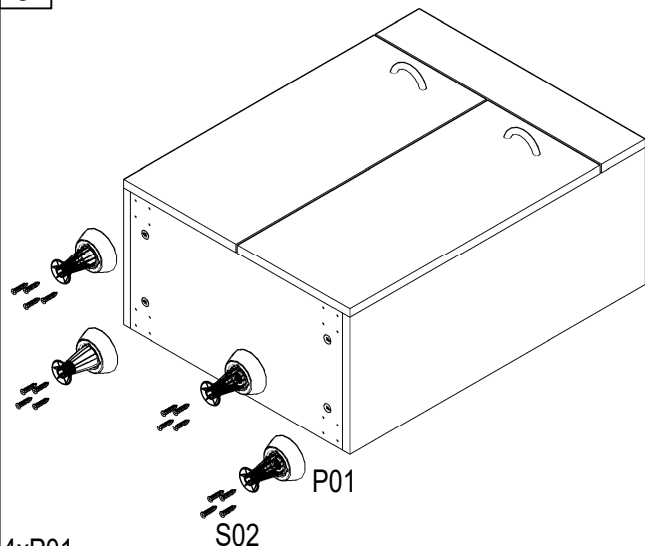
2xM01
4xS11
8xS02
4xB01

5.

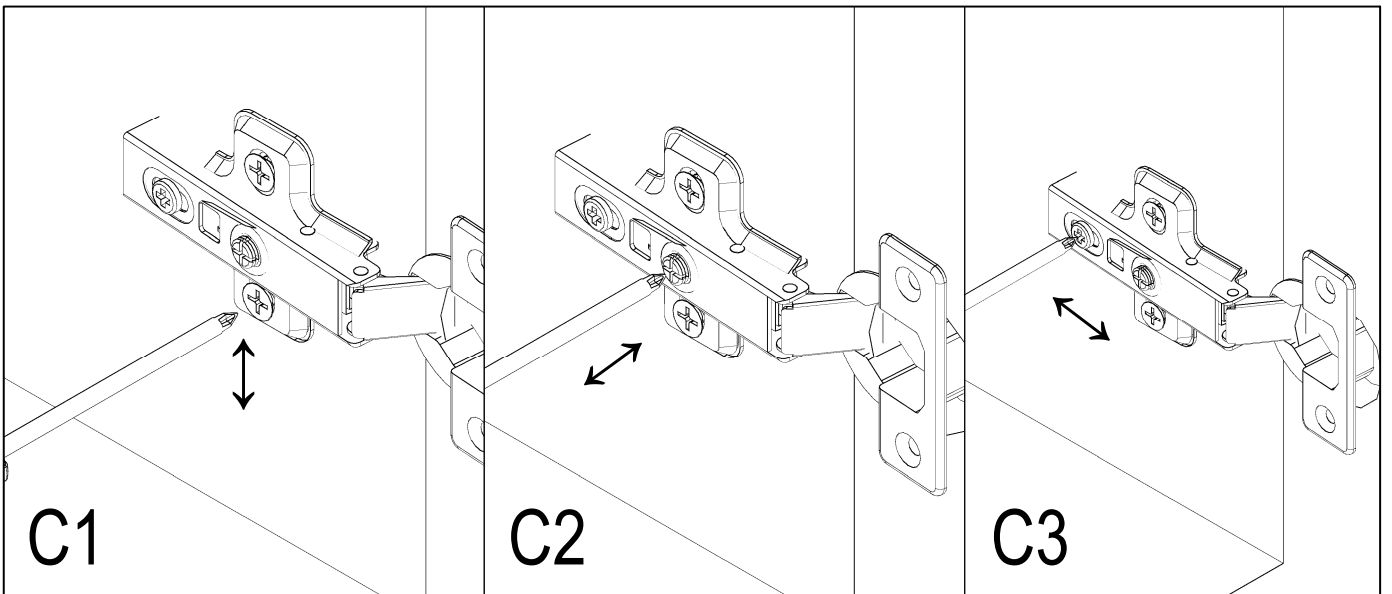


8xS02

6.



4xP01
16xS02



C1

C2

C3

HEIGHT ADJUSTEMENT

SIDE ADJUSTEMENT

DEPTH ADJUSTEMENT