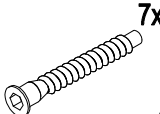




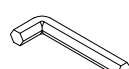
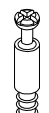

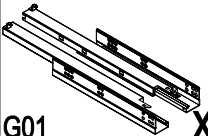
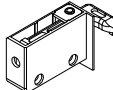
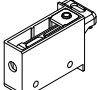
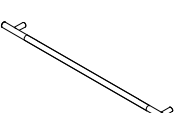
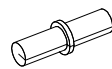
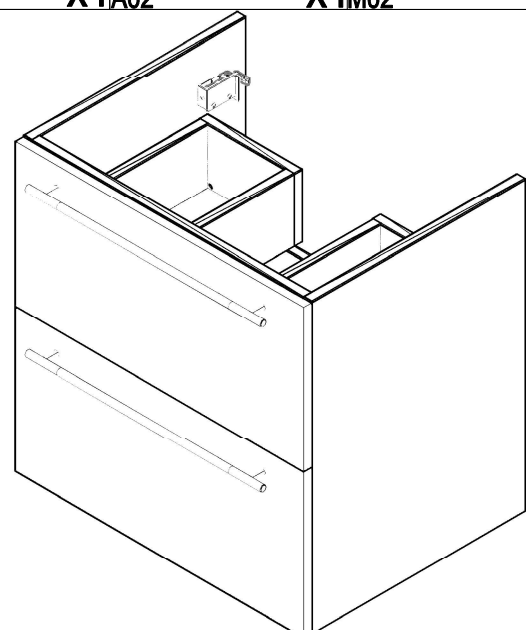
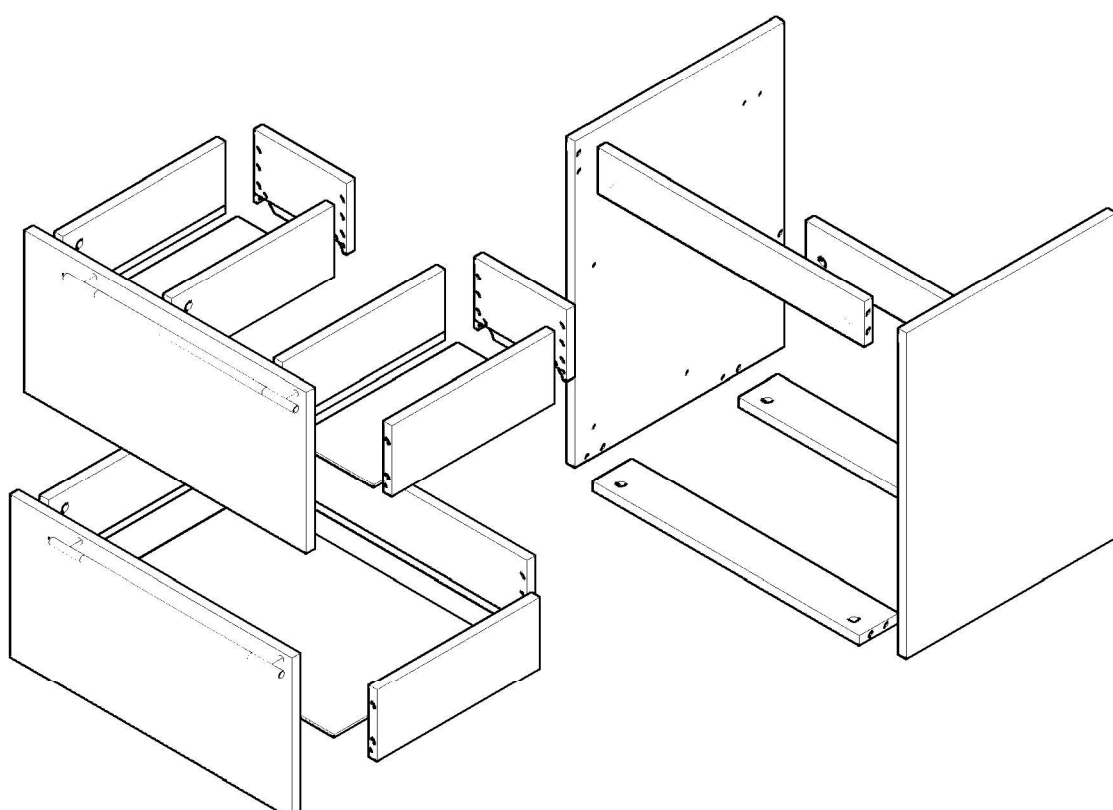
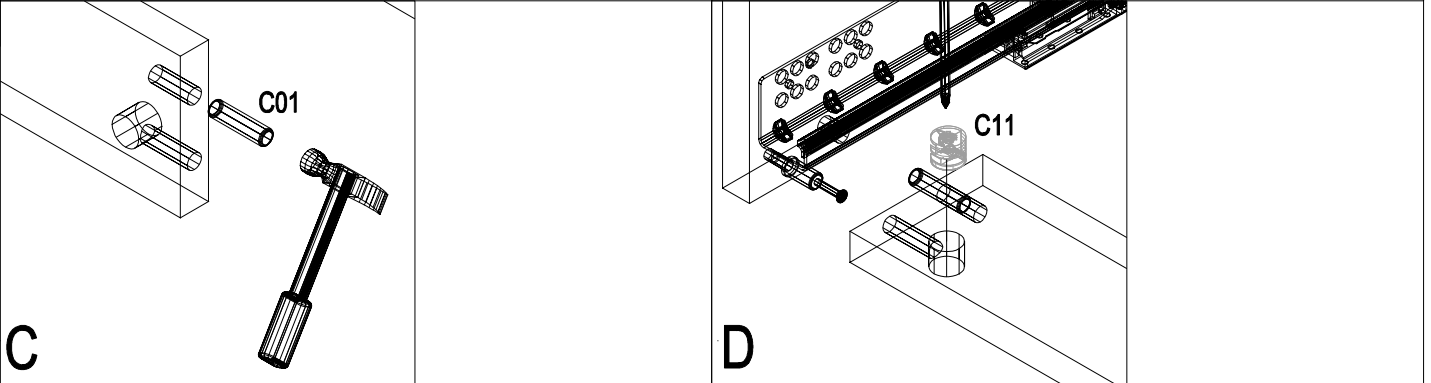
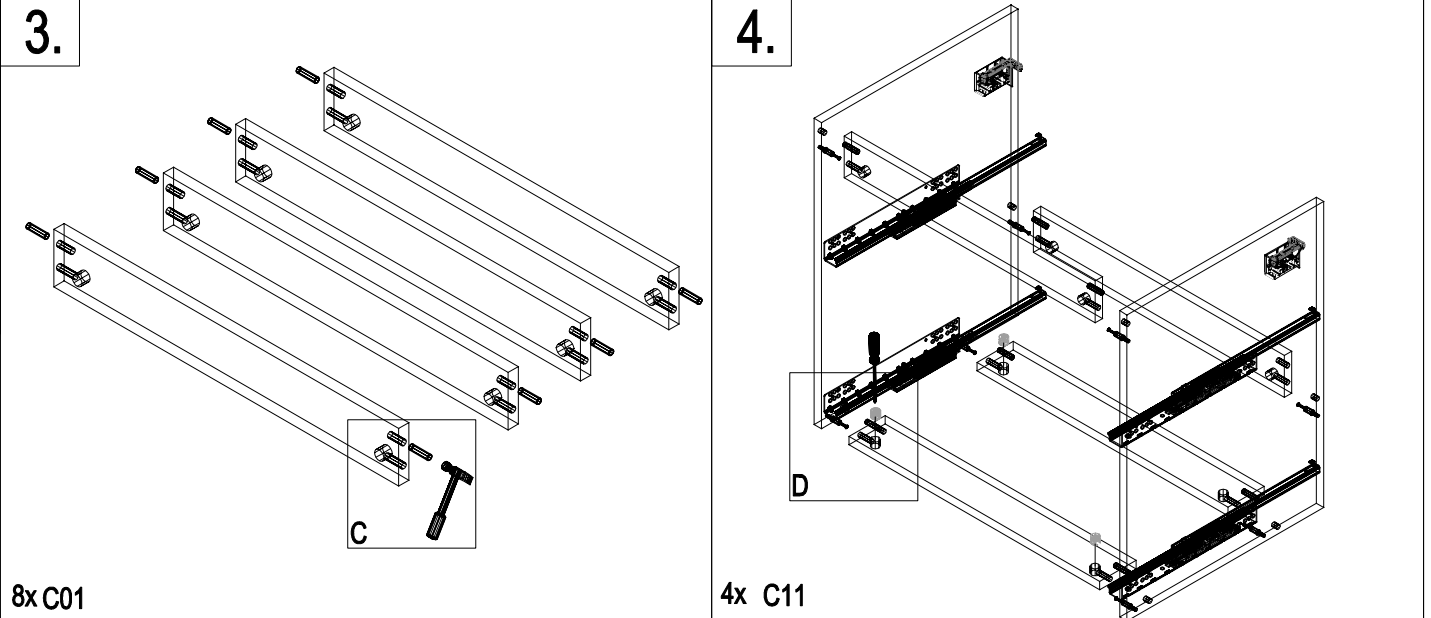
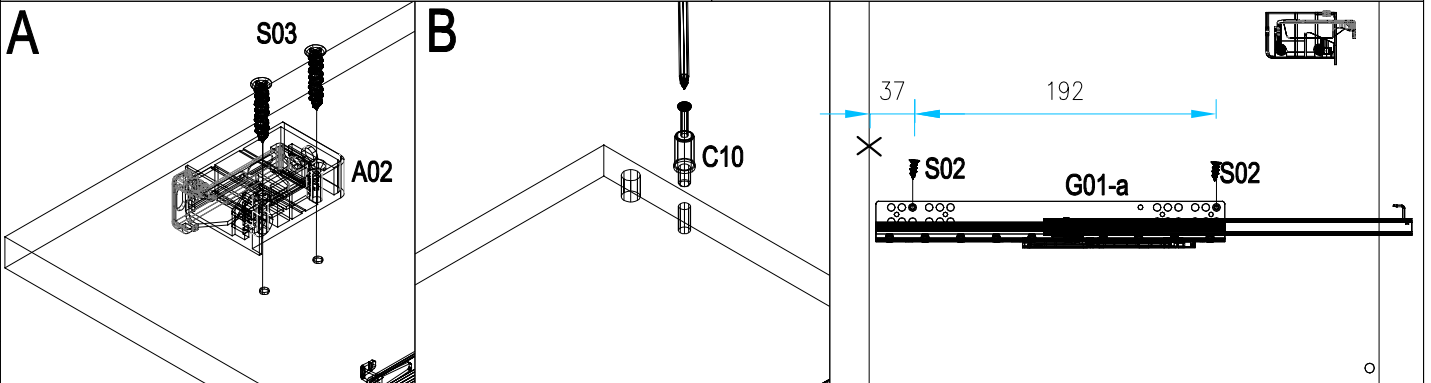
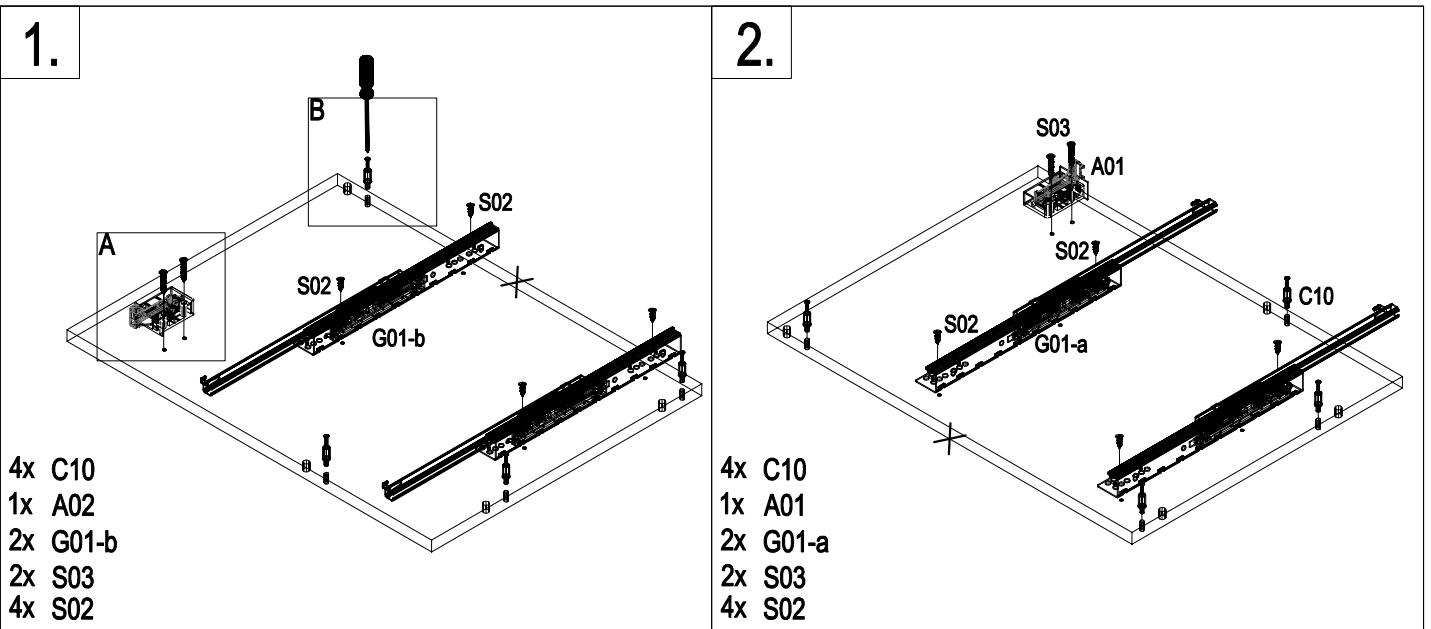


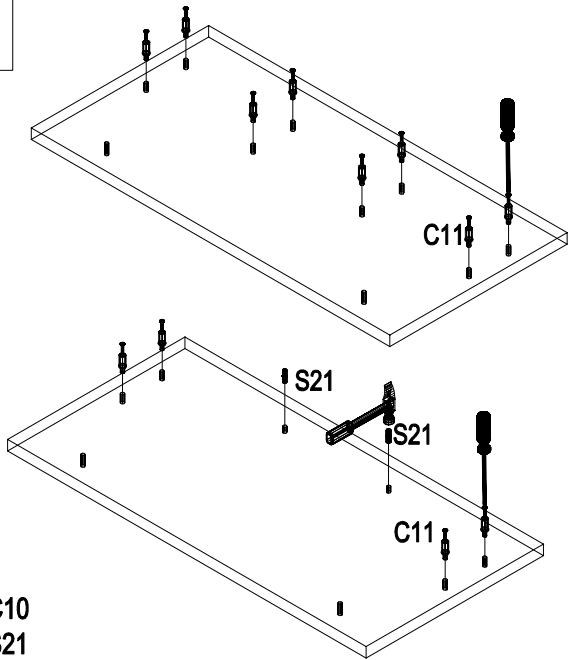
# NR.3

 <p>S01 <b>x6</b></p>	 <p>S02 <b>x8</b></p>	 <p>S11 <b>x4</b></p>	 <p>C01 <b>x20</b></p>	 <p>S03 <b>x4</b></p>	 <p>D01 <b>x1</b></p>
 <p>C10 <b>x20</b></p>	 <p>C11 <b>x20</b></p>	 <p>G01 <b>x2</b></p>	 <p>A01 <b>x1</b></p>	 <p>A02 <b>x1</b></p>	 <p>M02 <b>x2</b></p>
 <p>S21 <b>x2</b></p>					



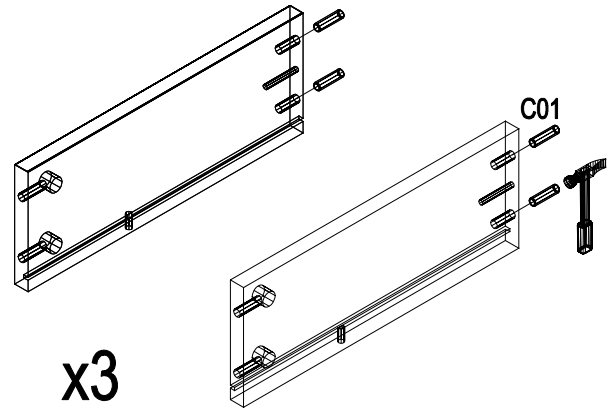


5.



8x C10  
2x S21

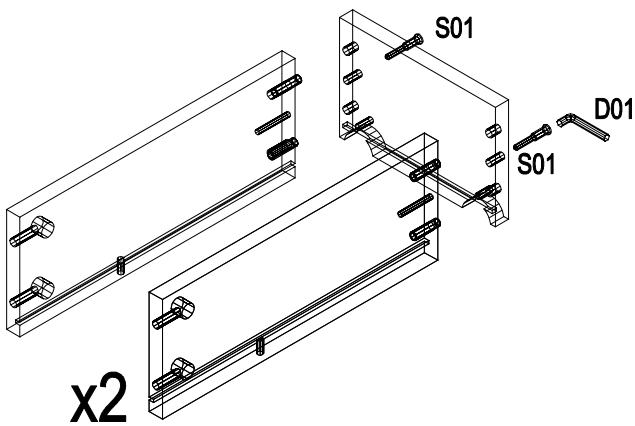
6.



x3

2x C01

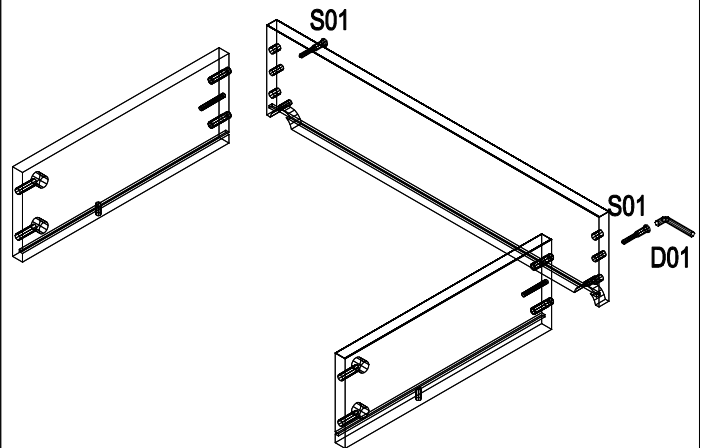
7.



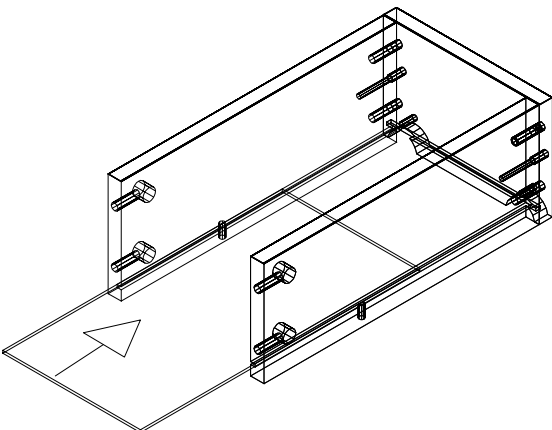
x2

1x D01  
2x S01

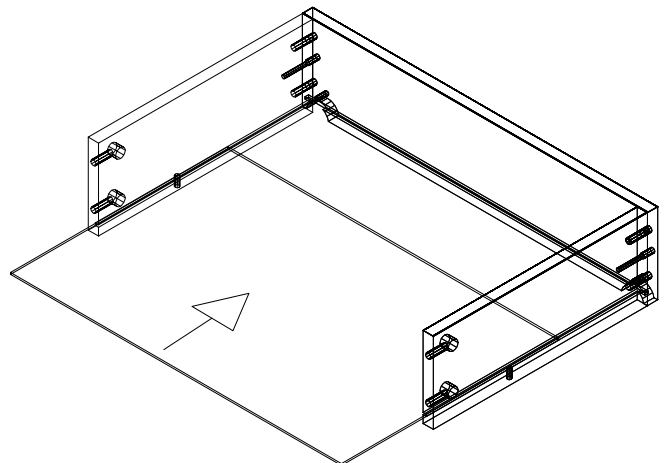
8.



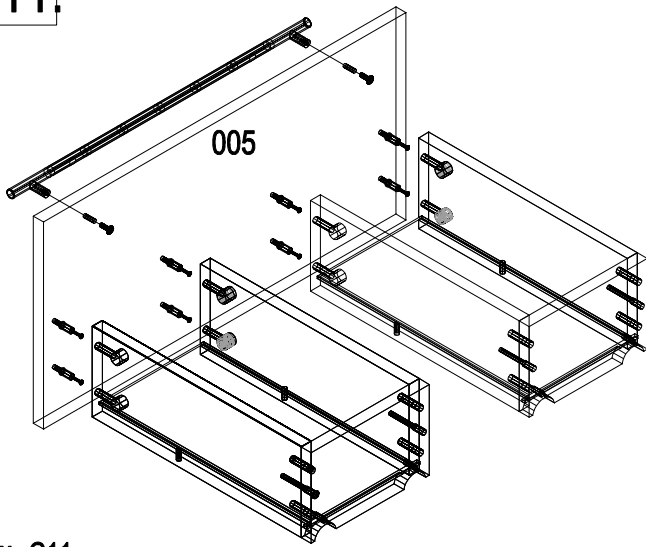
9.



10.

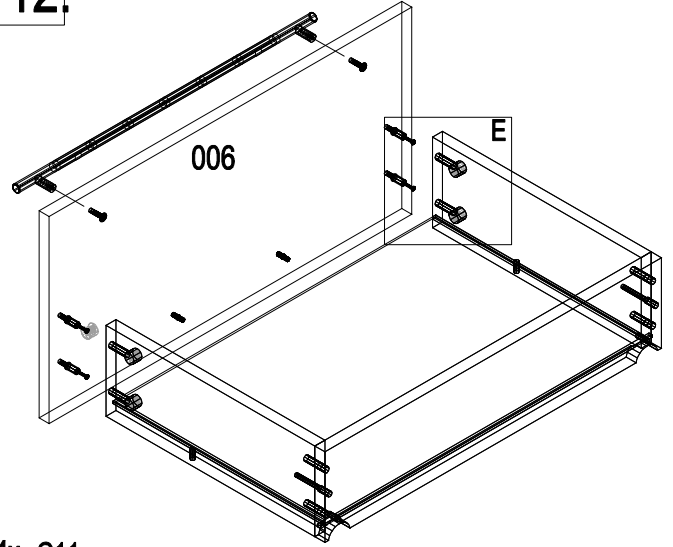


11.



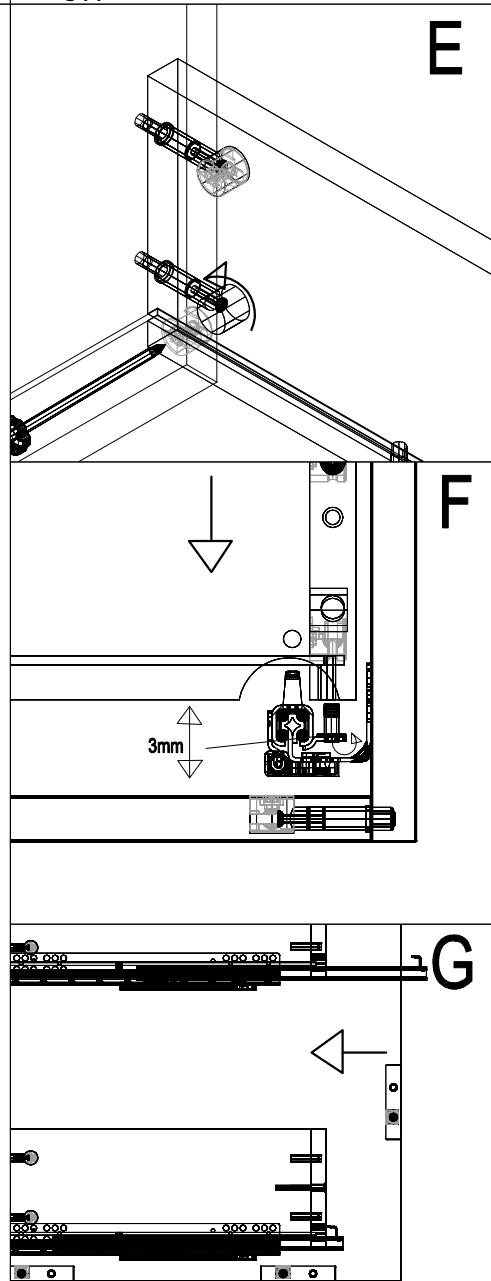
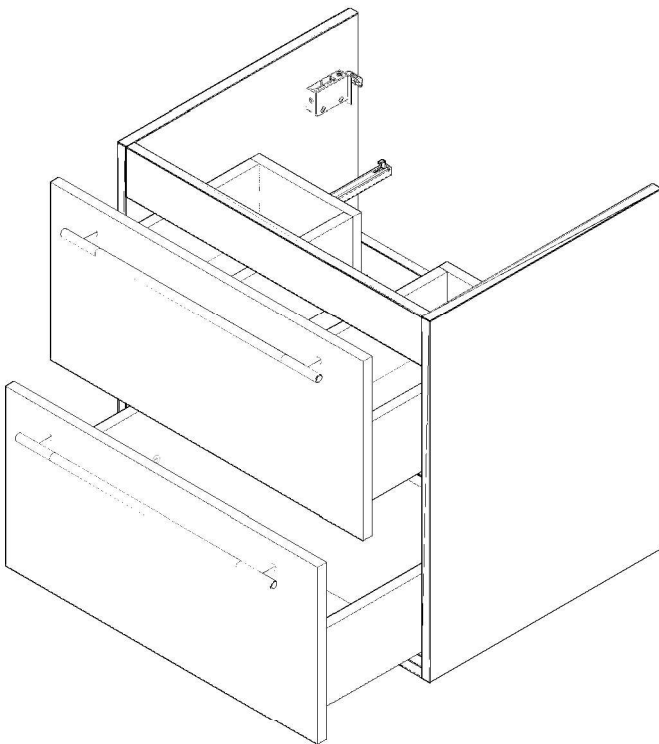
8x C11  
 1x M02  
 2x S11

12.



4x C11  
 1x M02  
 2x S11

13.



E

F

G