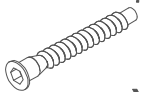


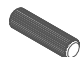
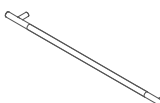
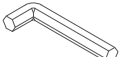


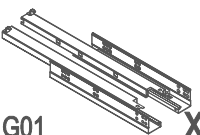

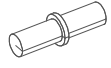
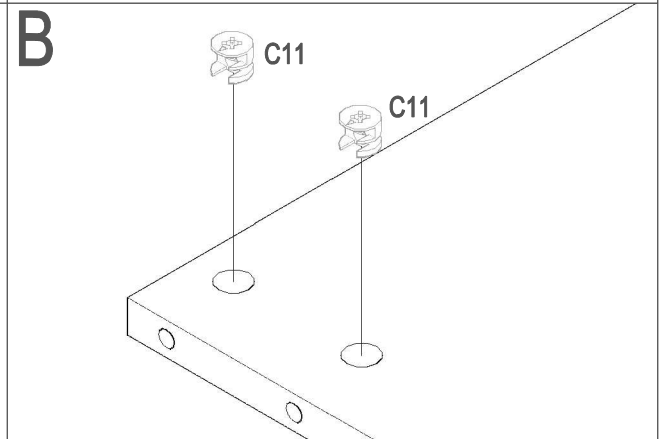
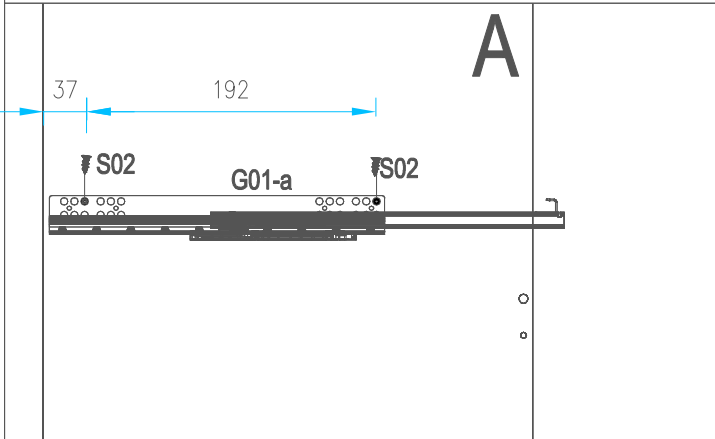
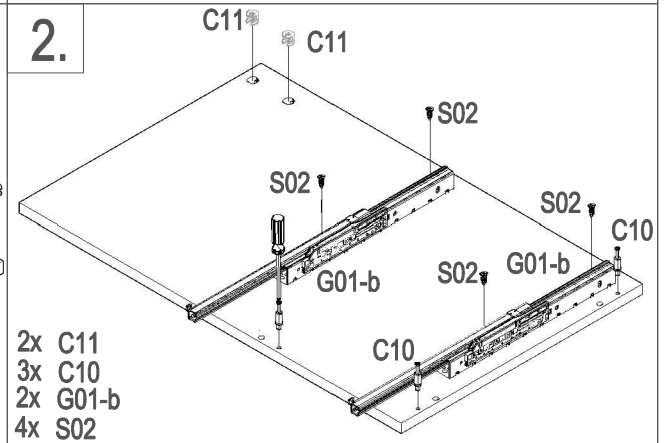
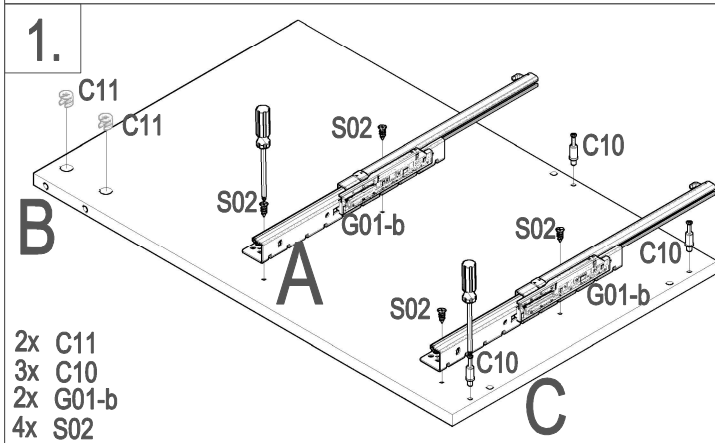
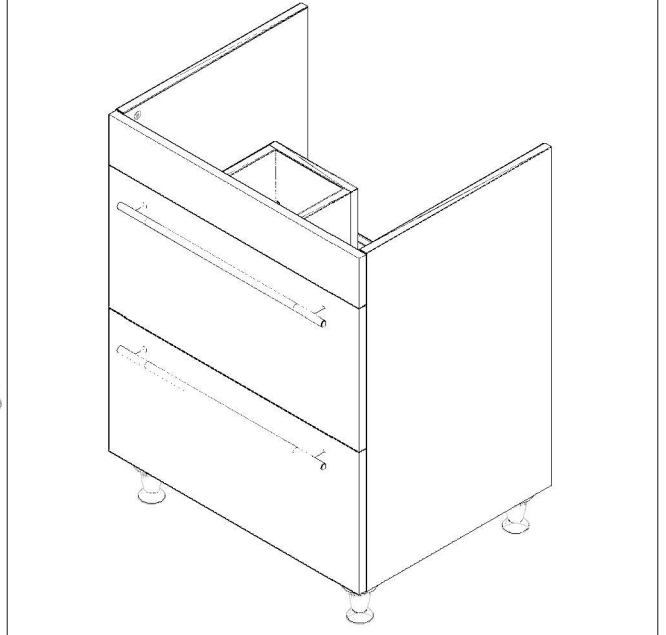
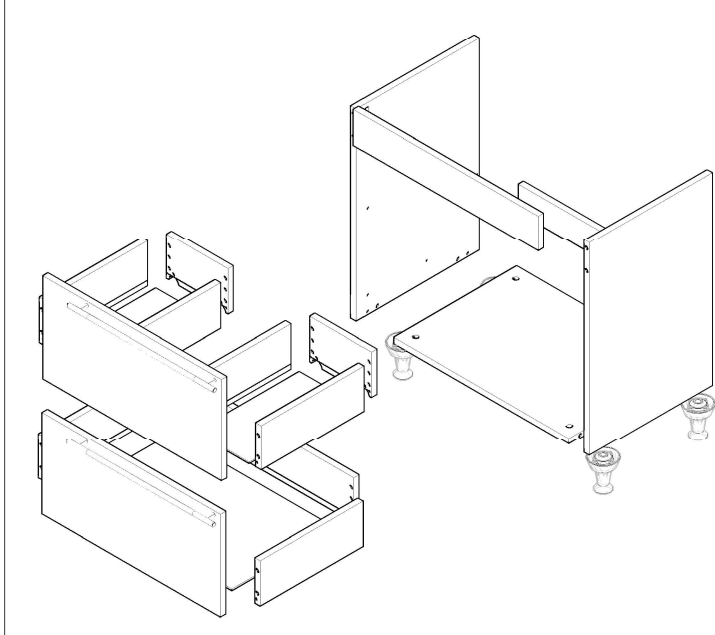
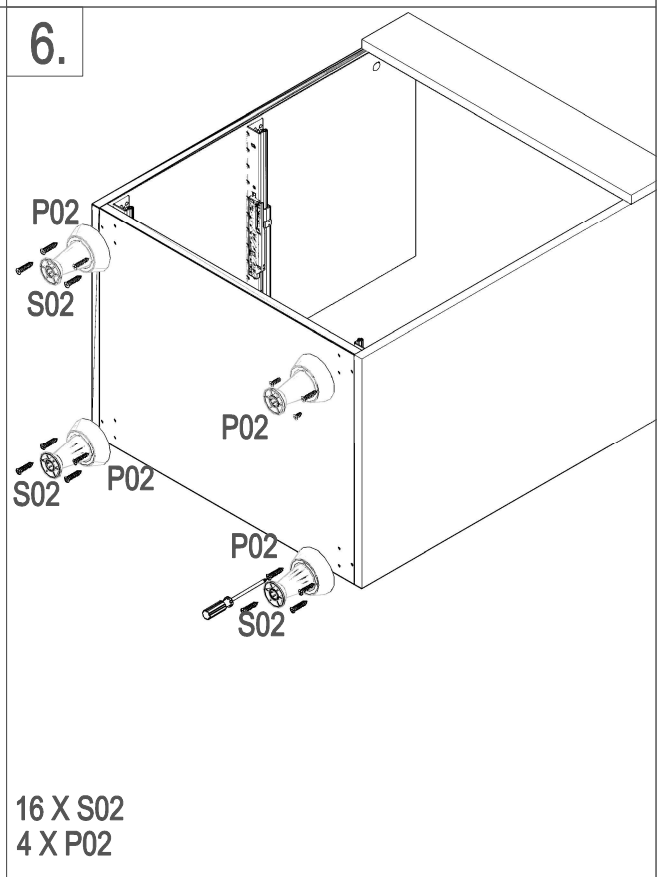
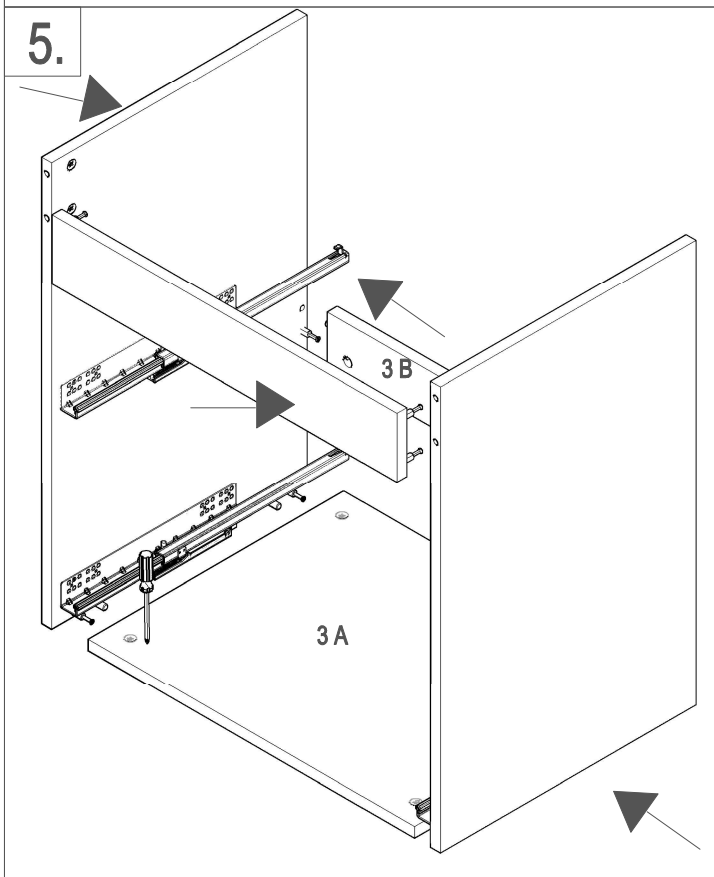
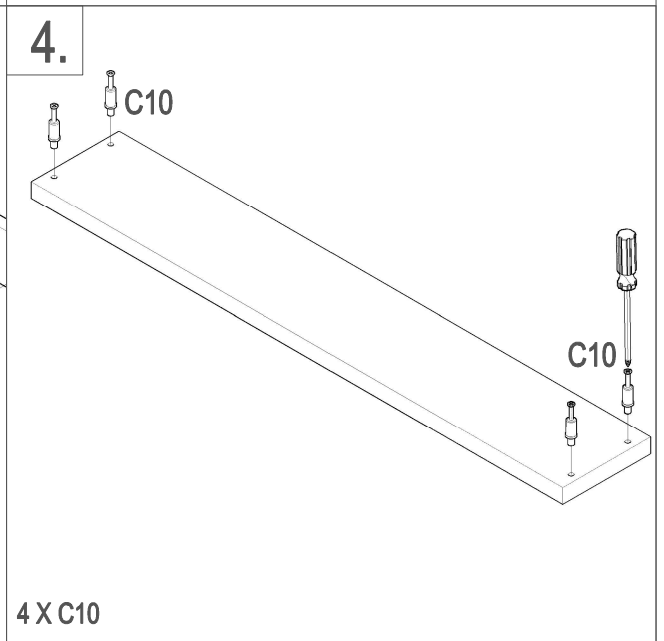
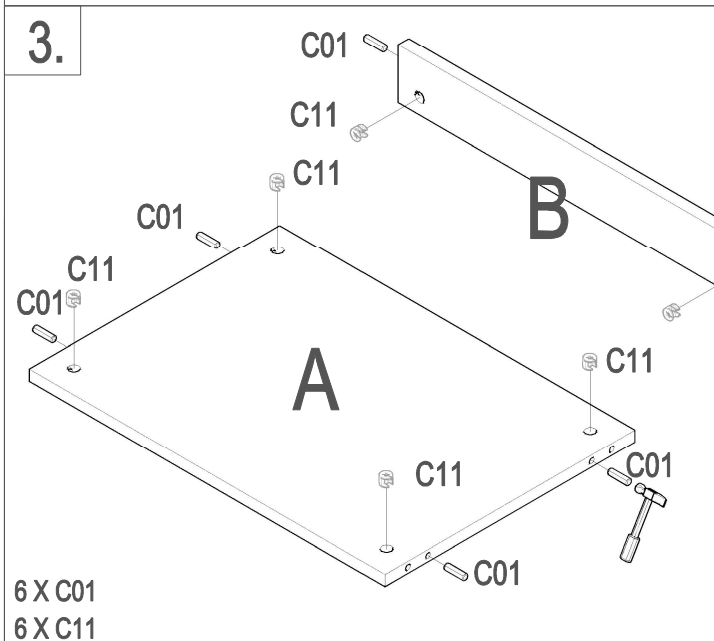
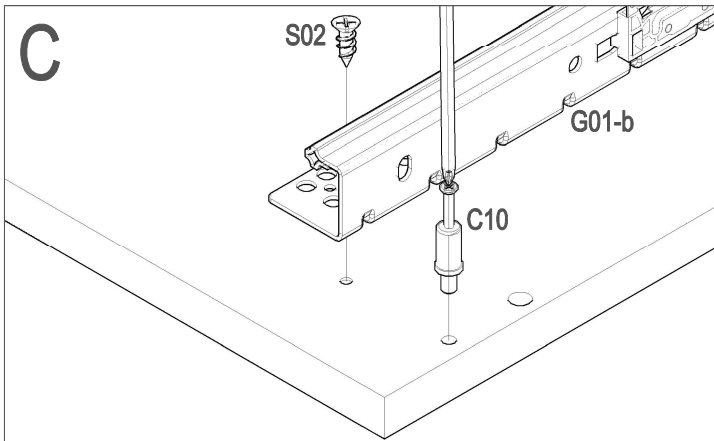


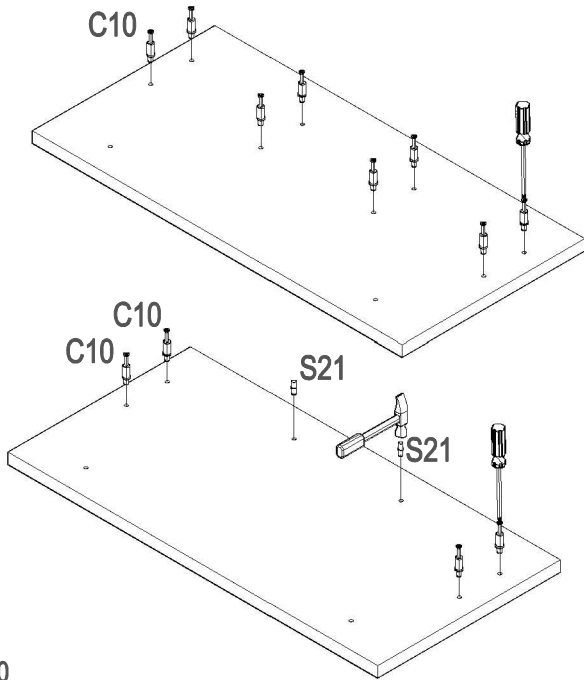
NR.8

 <p>7x50 S01</p>	 <p>3.5x16 S02</p>	 <p>M4x20 S11</p>	 <p>C01</p>	 <p>M02</p>	 <p>D01</p>
<p>x6</p>	<p>x24</p>	<p>x4</p>	<p>x18</p>	<p>x2</p>	<p>x1</p>
 <p>C10</p>	 <p>C11</p>	 <p>G01</p>	 <p>P02</p>	 <p>S21</p>	
<p>x22</p>	<p>x22</p>	<p>x2</p>	<p>x4</p>	<p>x2</p>	



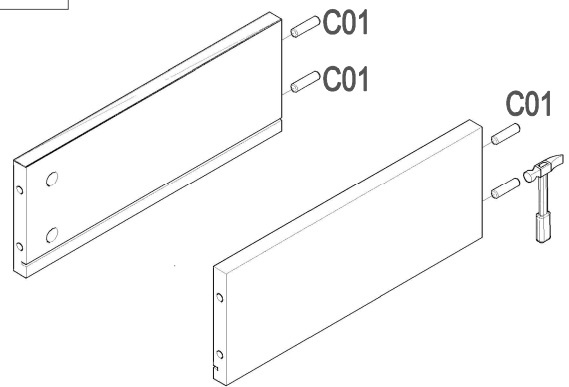


7.



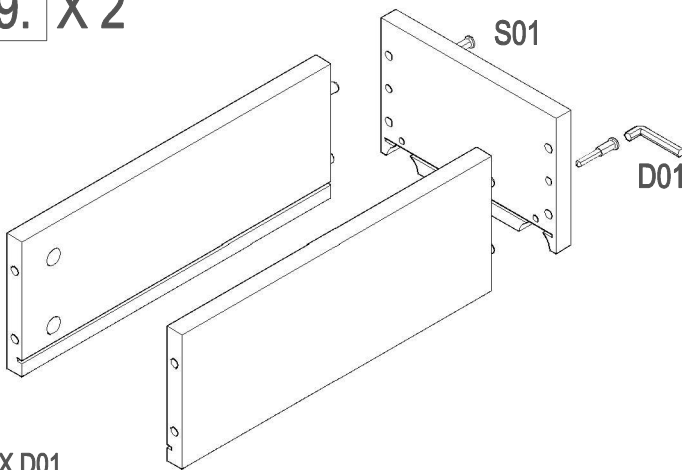
2 X S21
12 X C10

8. X 3



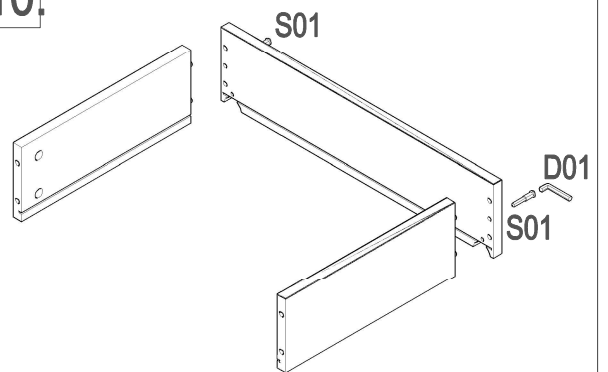
4 X C01

9. X 2



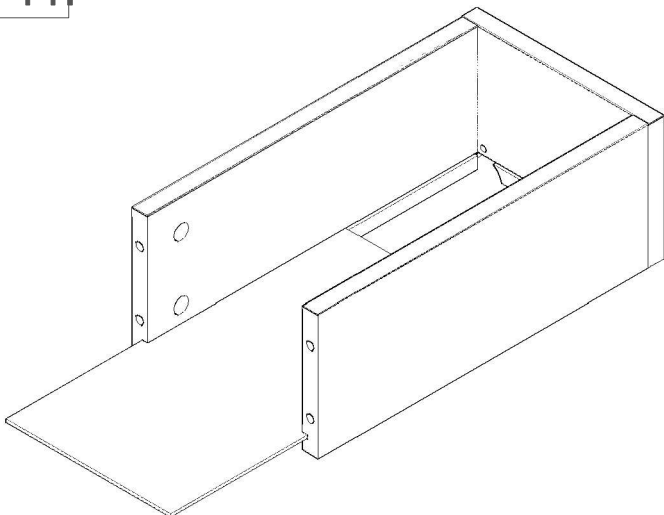
1 X D01
2 X S01

10.

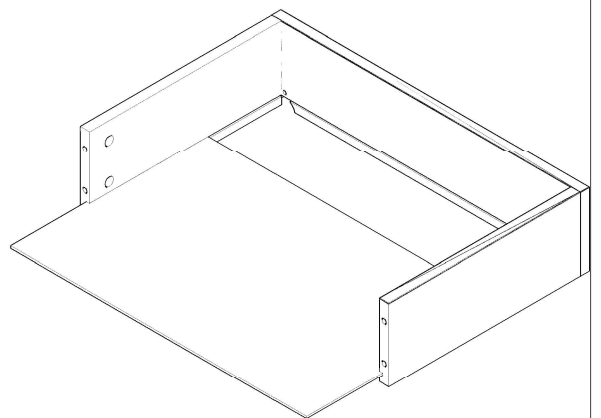


1 X D01
2 X S01

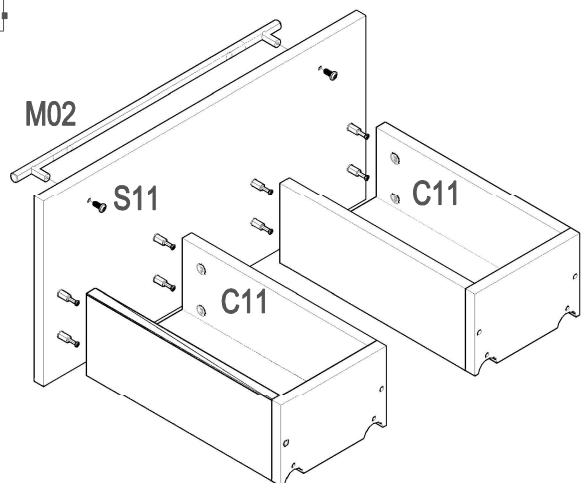
11.



12.

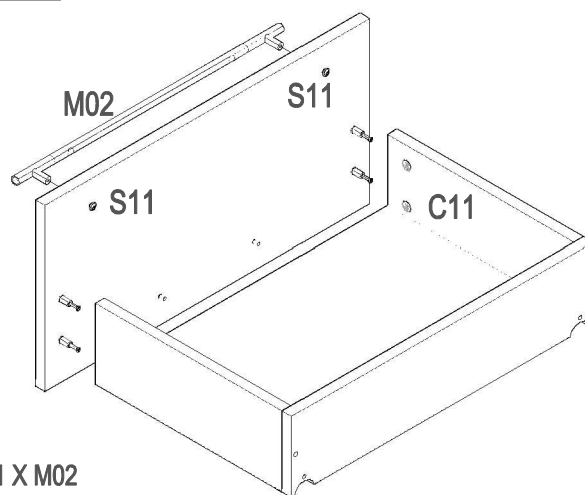


13.



1 X M02
2 X S11
8 X C11

14.



1 X M02
2 X S11
4 X C11

15.

