
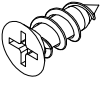

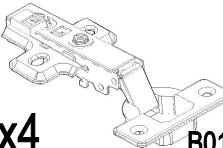

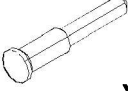


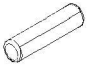



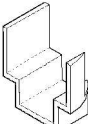
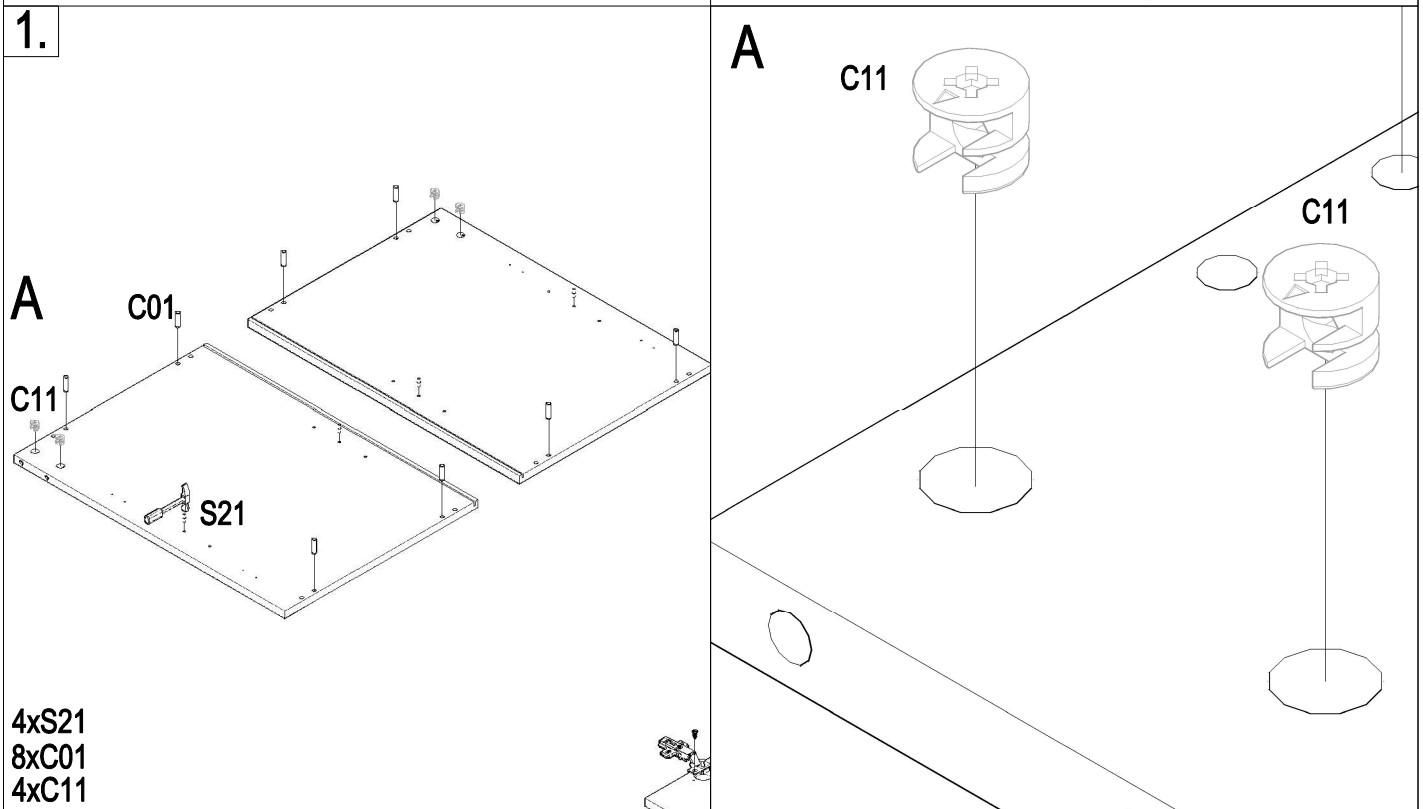
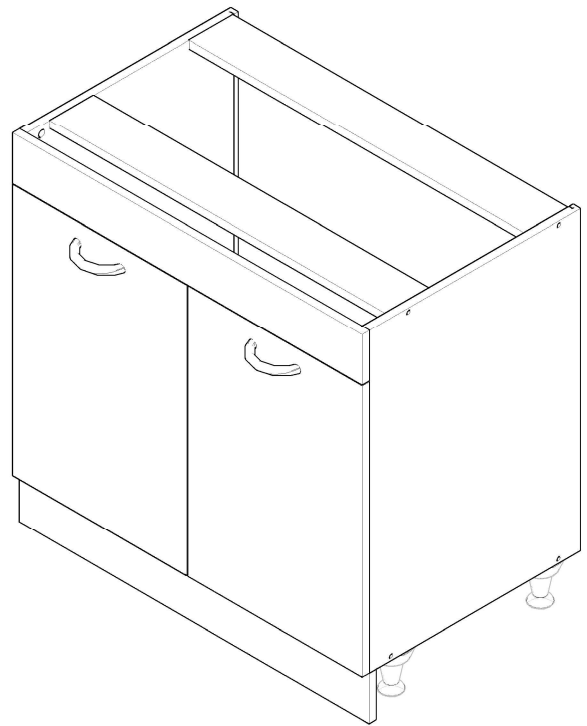
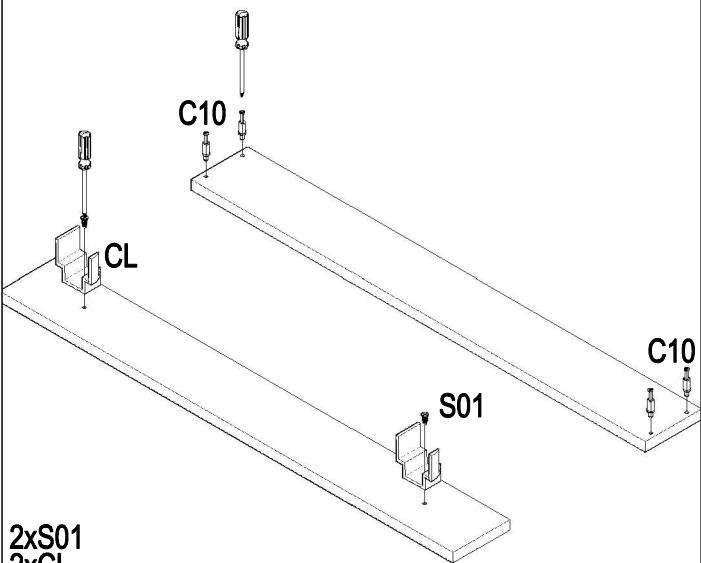


NR.96

<p>3.5x16</p>  <p>S01 x40</p>	<p>3.5x25</p>  <p>S03 x4</p>	<p>D01</p>  <p>x1 x4</p>	 <p>B01</p>	<p>M4X22</p>  <p>S11 x4</p>	<p>S02</p>  <p>x8</p>
<p>M01</p>  <p>x2</p>	<p>S21</p>  <p>x4</p>	<p>C01</p>  <p>x8</p>	<p>P01</p>  <p>x4</p>	<p>C10</p>  <p>x4</p>	<p>C11</p>  <p>x4</p>
<p>CL</p>  <p>x2</p>					

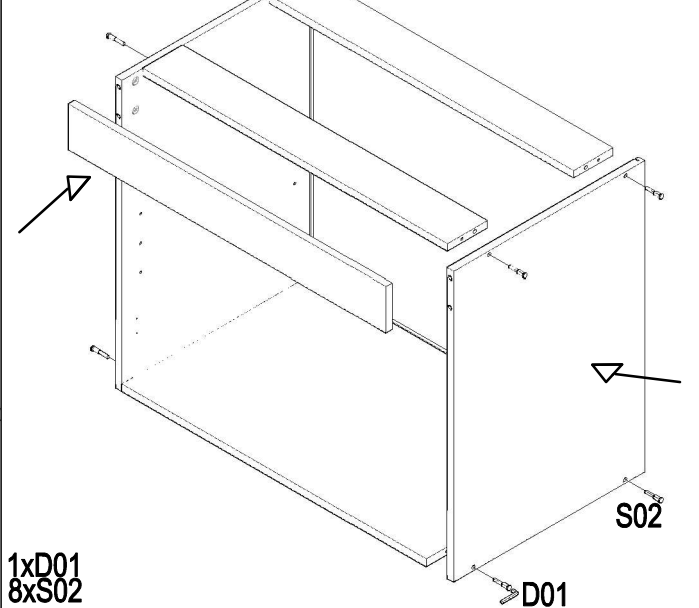


2.



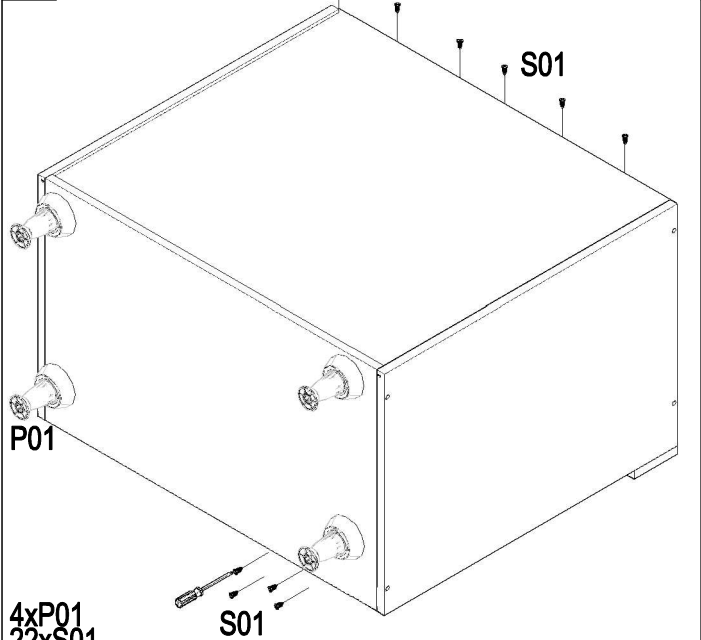
2xS01
2xCL
4xC10

3.



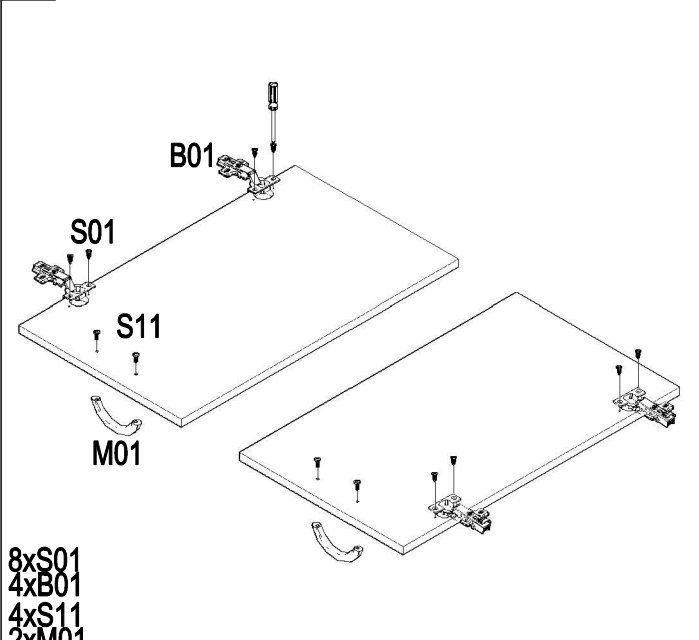
1xD01
8xS02

4.



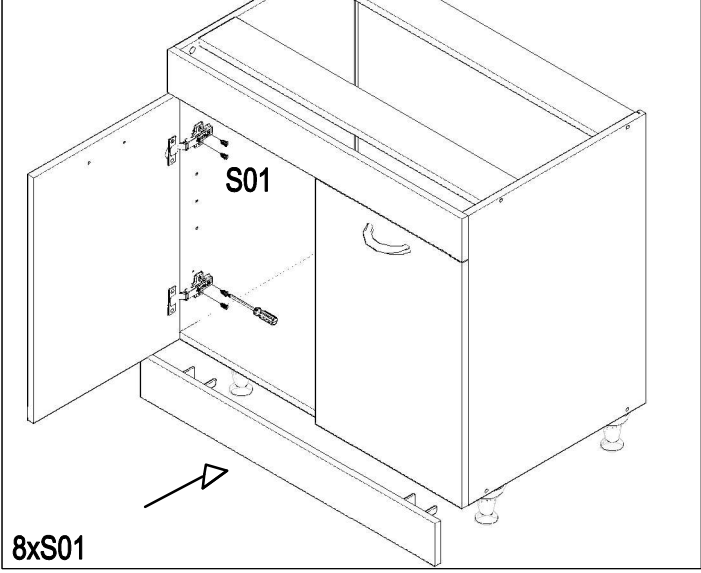
4xP01
22xS01

5.



8xS01
4xB01
4xS11
2xM01

6.



8xS01