
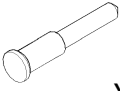

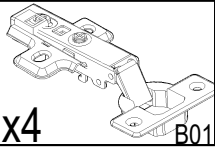
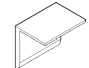

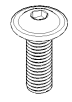

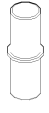
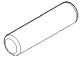
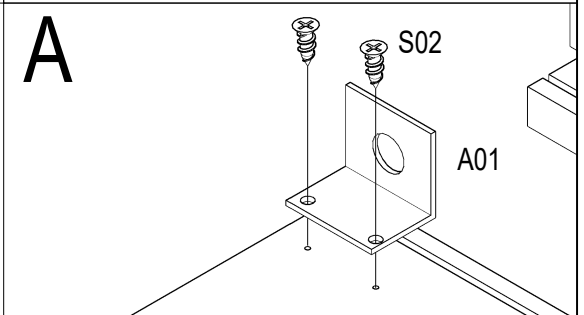
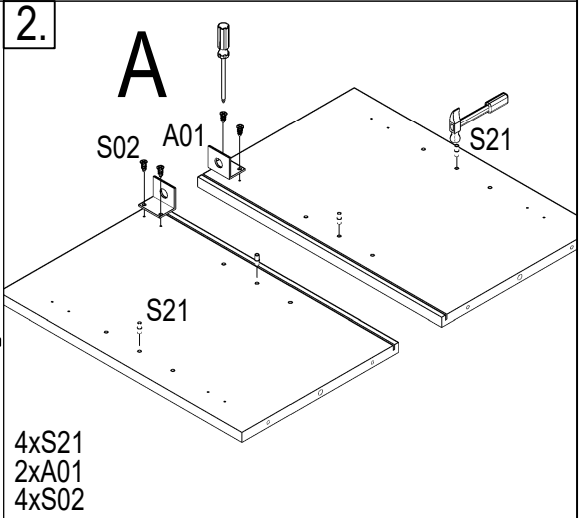
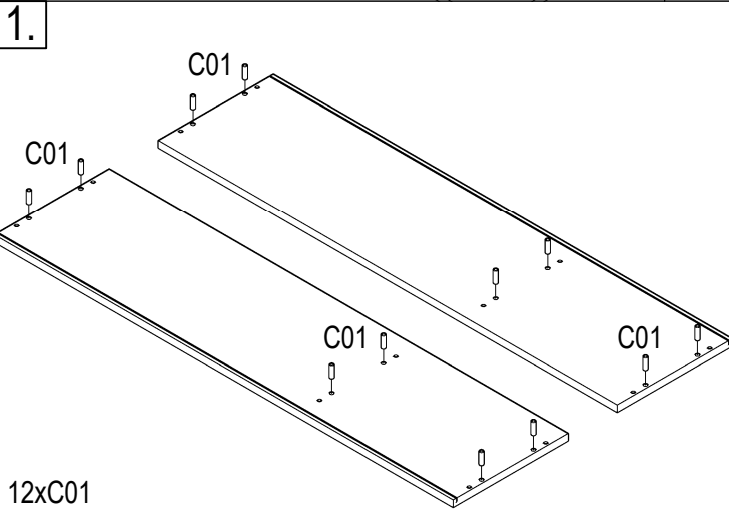
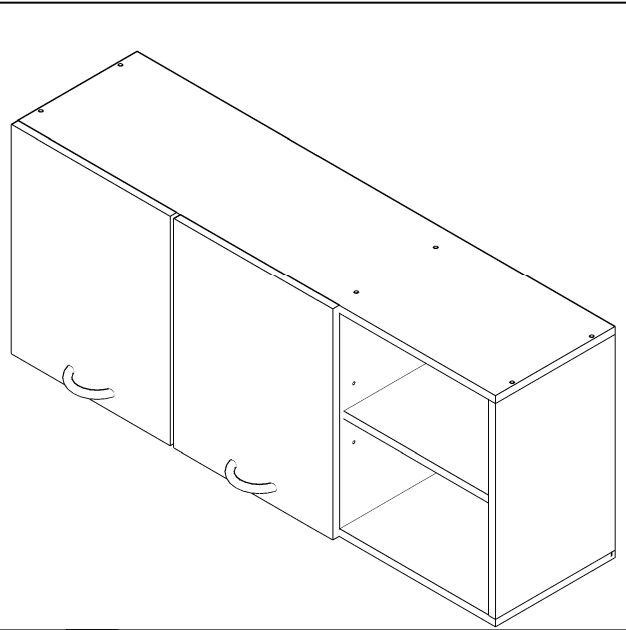
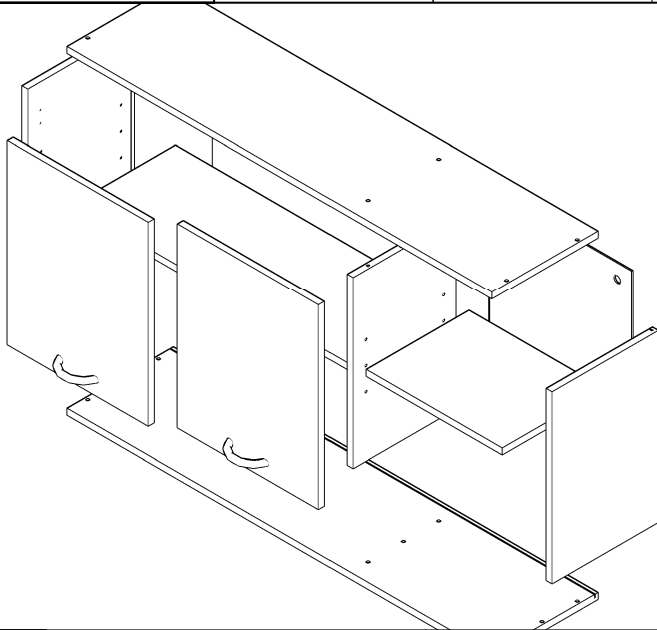
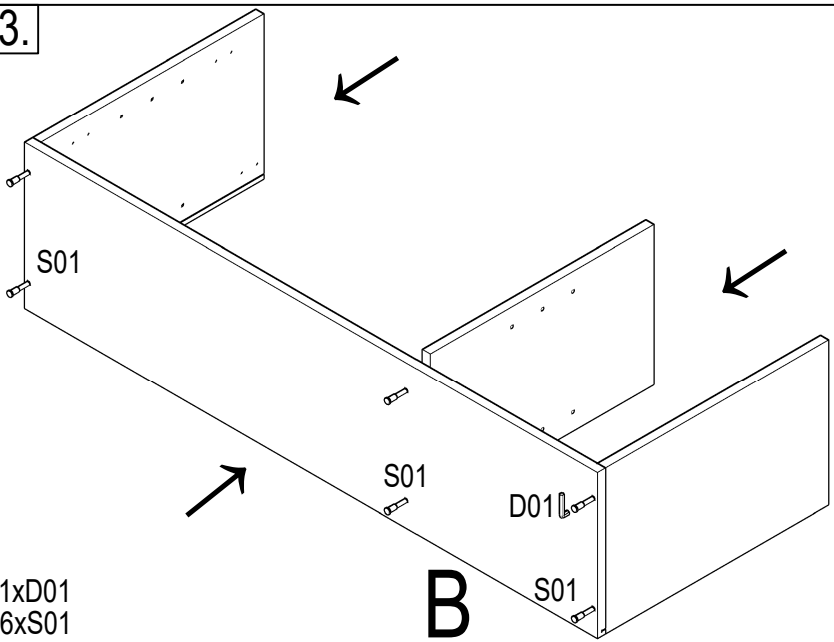


# NR. 85.1

<p>3.5x16</p>  <p>S02 x23</p>	 <p>S01 x12</p>	 <p>D01 x1</p>	 <p>B01 x4</p>	 <p>A01 x2</p>	 <p>S11 x4</p>	<p>M4X22</p>  <p>S11 x4</p>
 <p>M01 x2</p>	 <p>S21 x8</p>	 <p>C01 x12</p>				

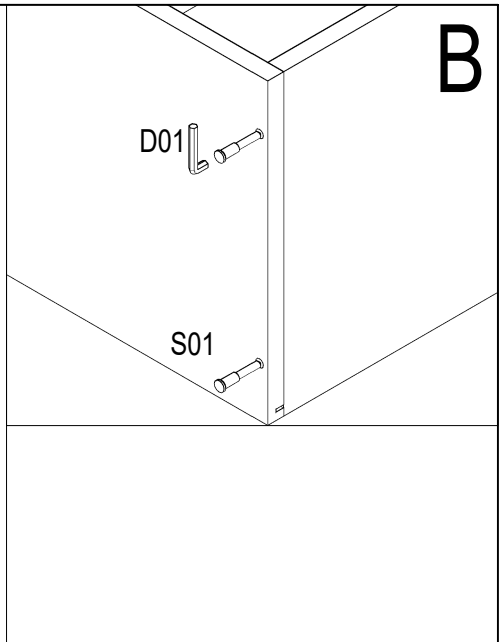


3.



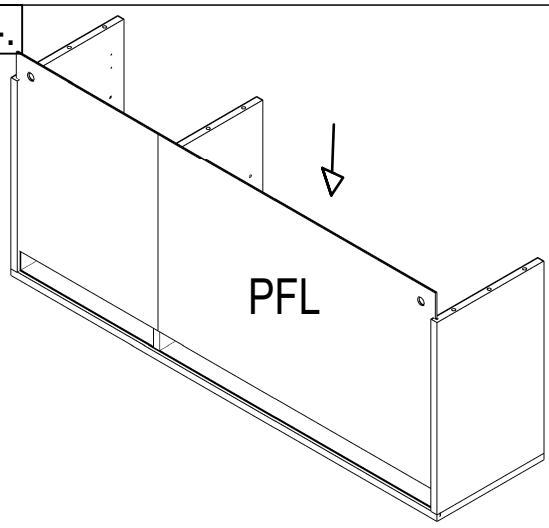
1xD01  
6xS01

B



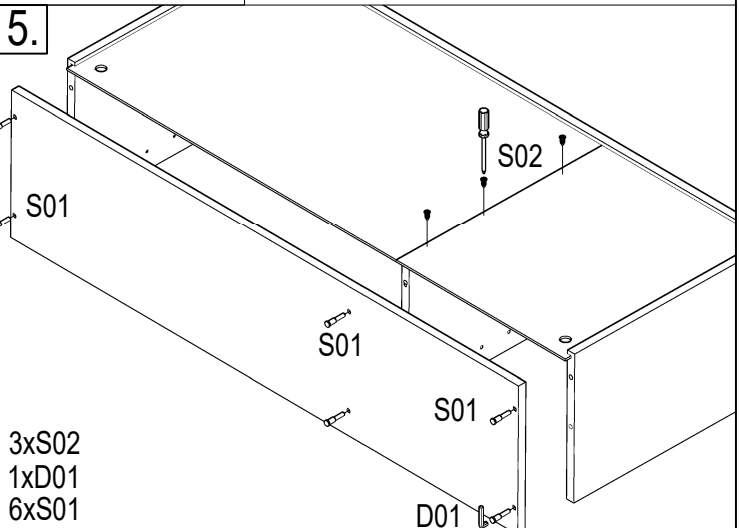
B

4.



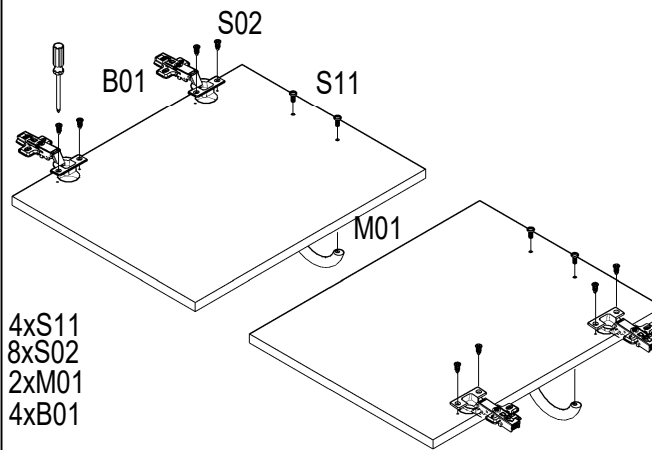
PFL

5.



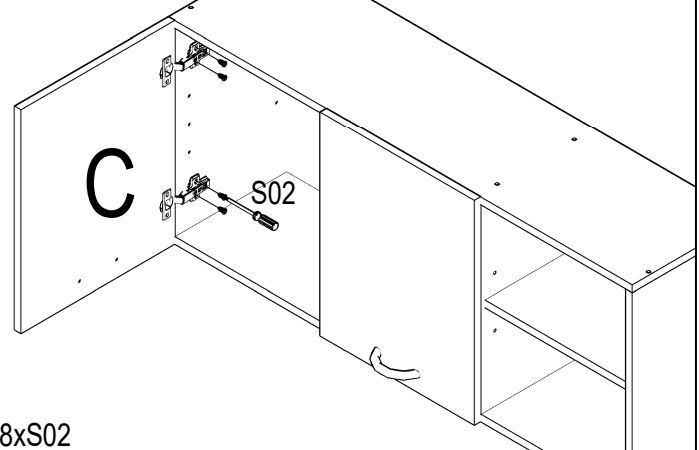
3xS02  
1xD01  
6xS01

6.



4xS11  
8xS02  
2xM01  
4xB01

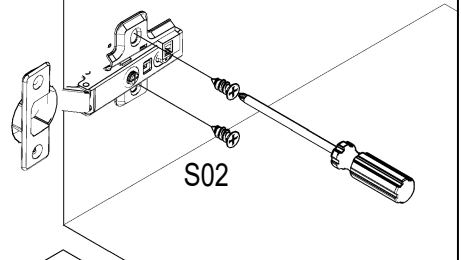
7.



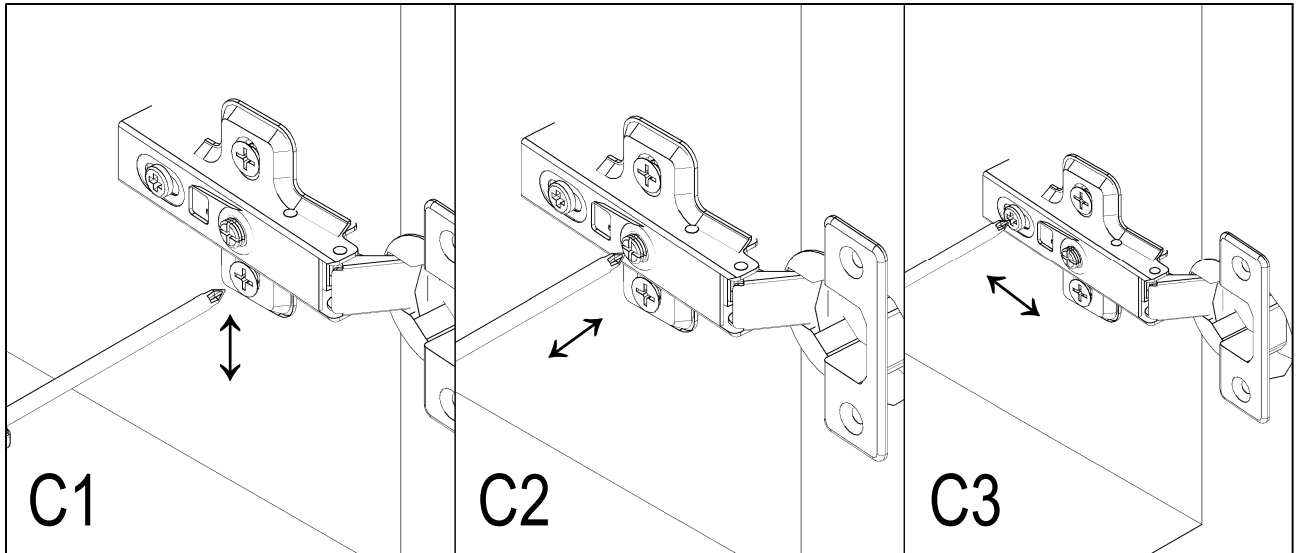
8xS02

C

C



S02



C1

C2

C3

HEIGHT ADJUSTEMENT    SIDE ADJUSTEMENT    DEPTH ADJUSTEMENT