
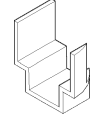

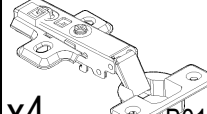

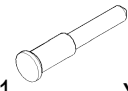





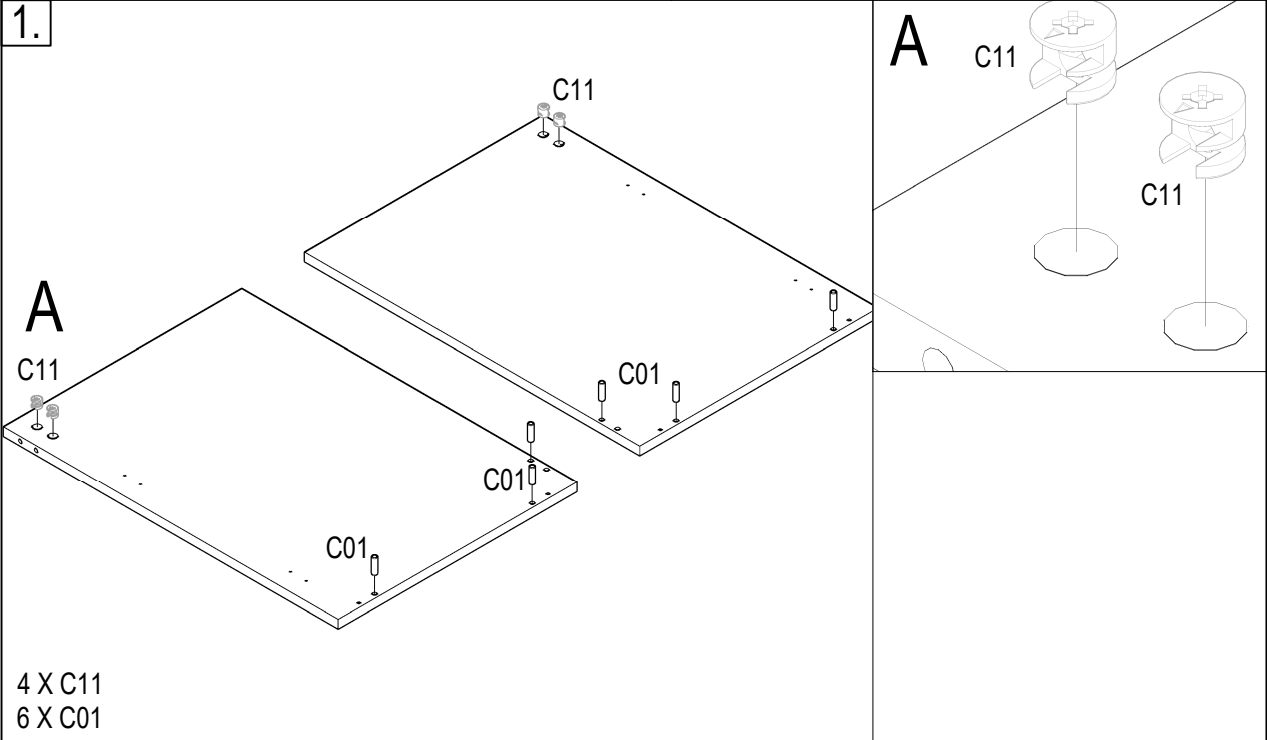
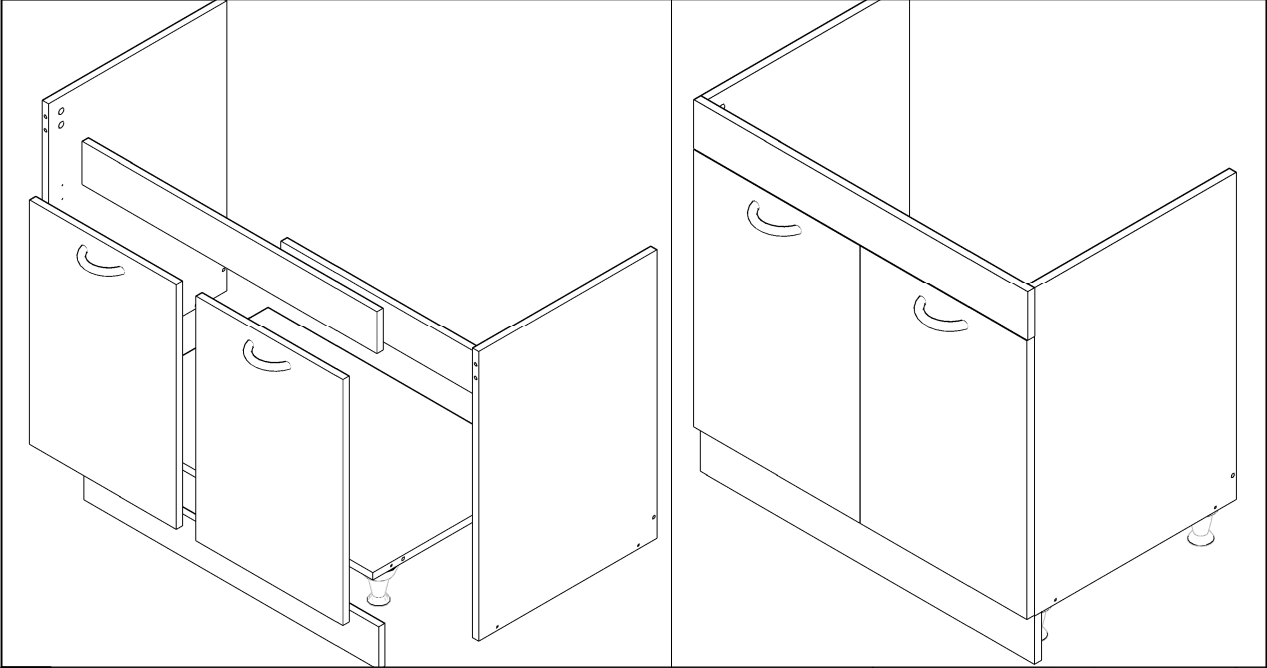
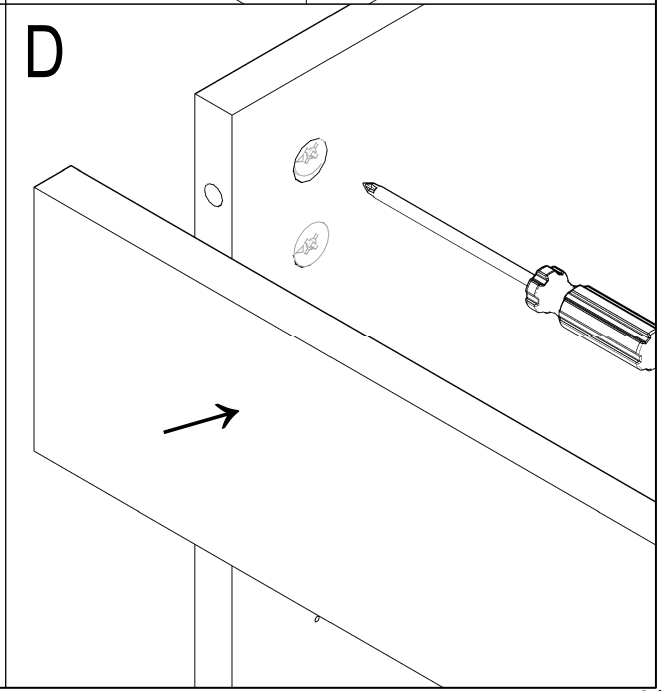
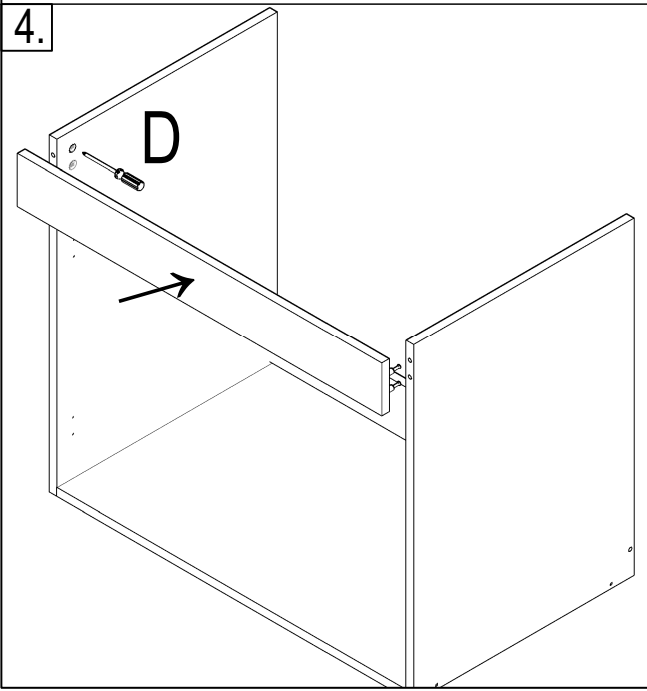
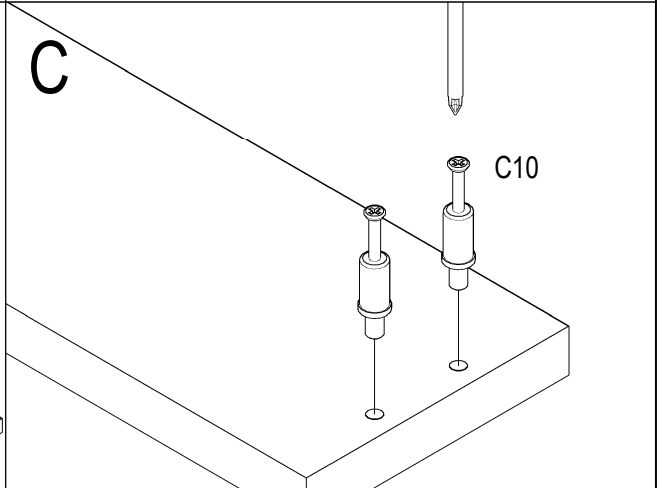
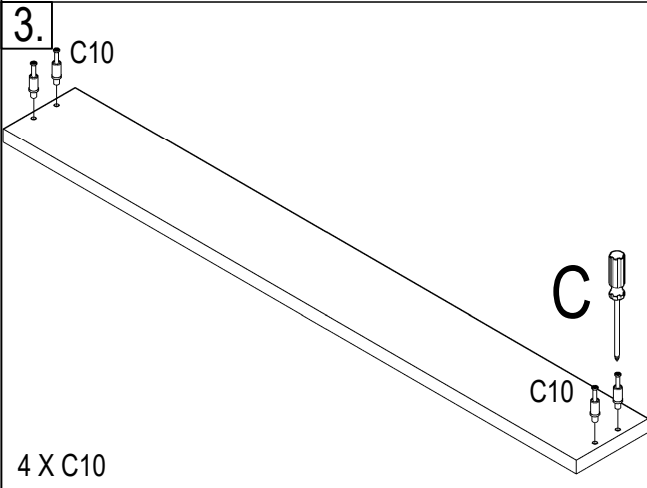
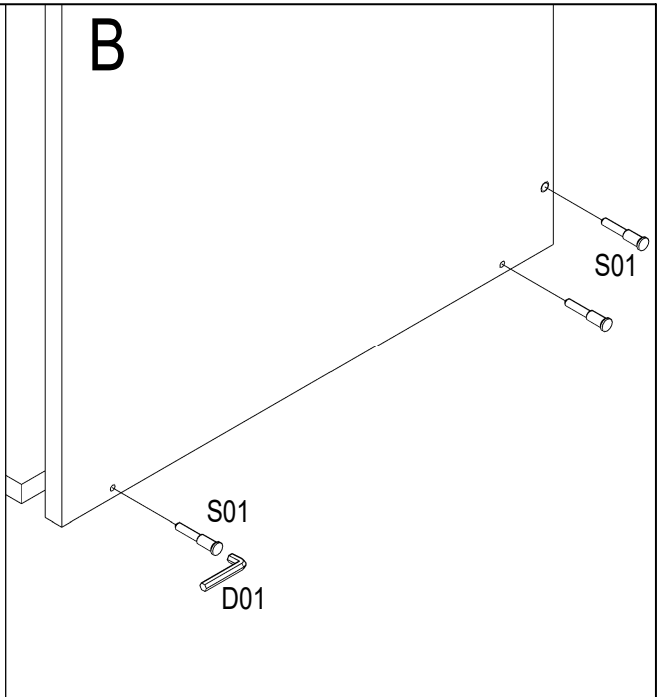
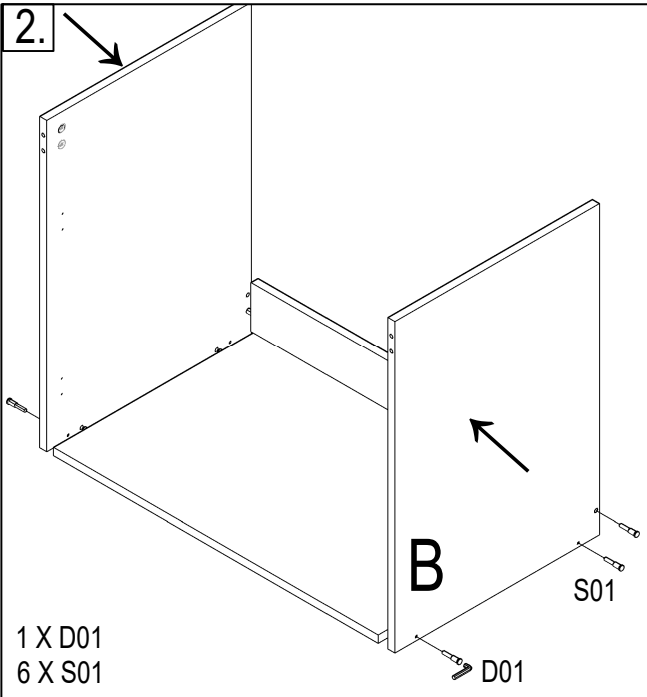


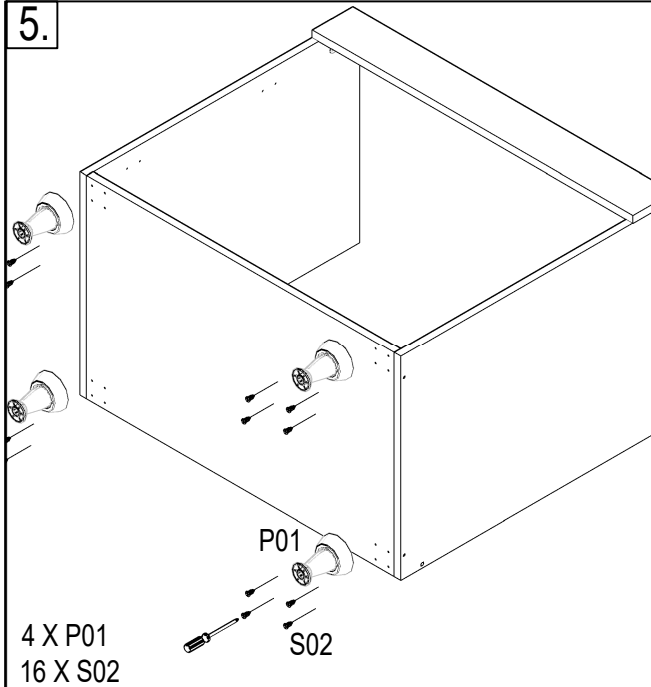
NR.123

 3.5x16 S02 x34	 CL x2	 D01 x1 x4	 B01	 M4X22 S11 x4	 S01 x6
 M01 x2	 C01 x6	 P01 x4	 C10 x4	 C11 x4	



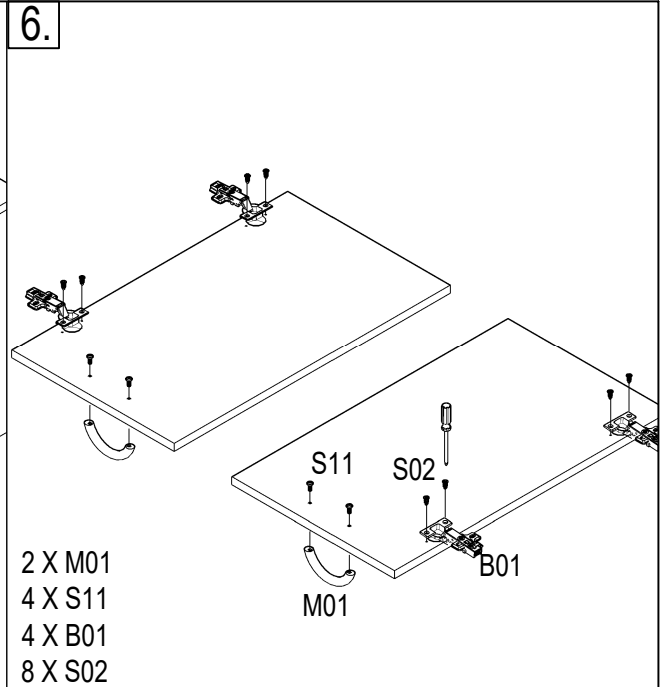


5.



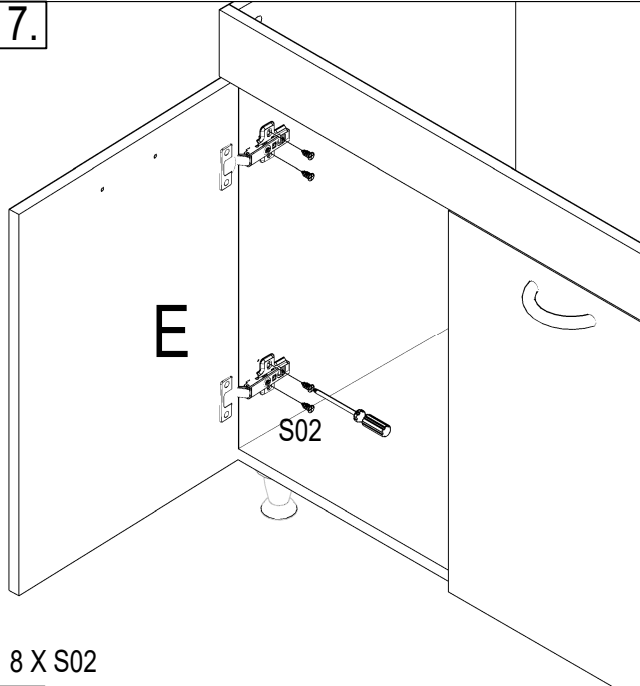
4 X P01
16 X S02

6.



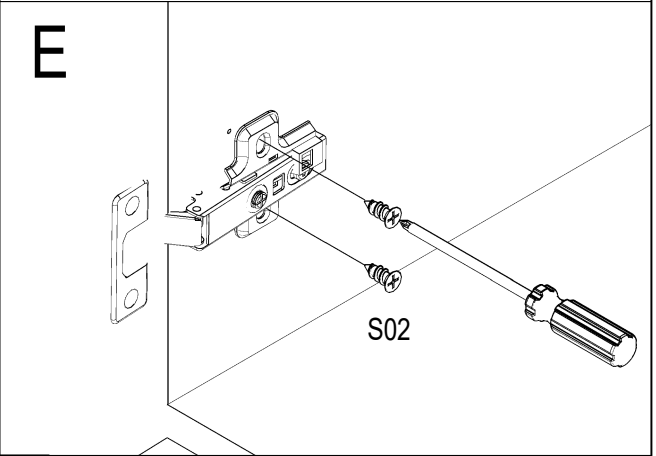
2 X M01
4 X S11
4 X B01
8 X S02

7.



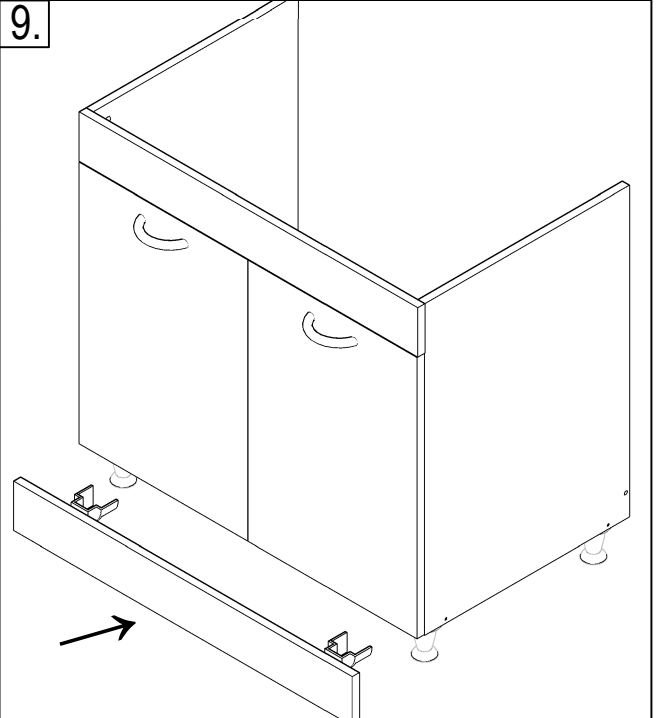
8 X S02

E

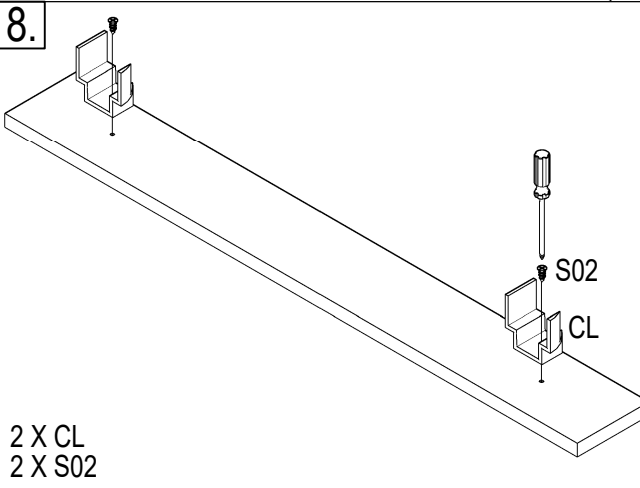


S02

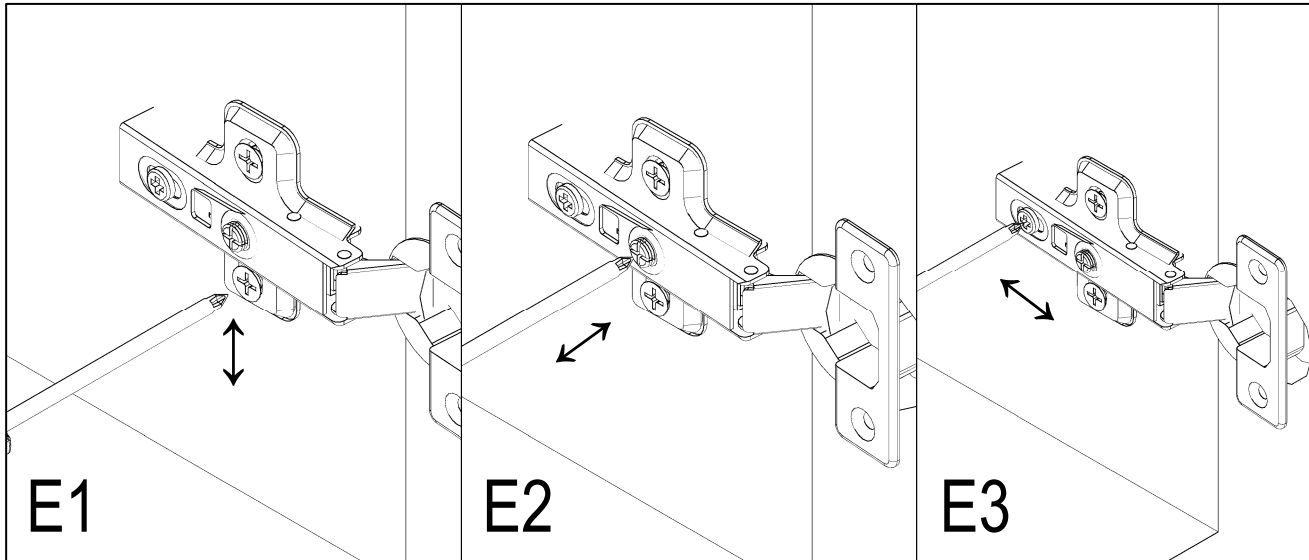
9.



8.



2 X CL
2 X S02



E1

E2

E3

HEIGHT ADJUSTEMENT SIDE ADJUSTEMENT DEPTH ADJUSTEMENT