
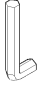
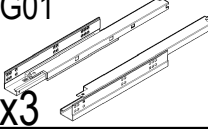
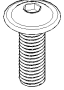
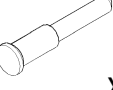


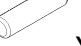
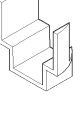



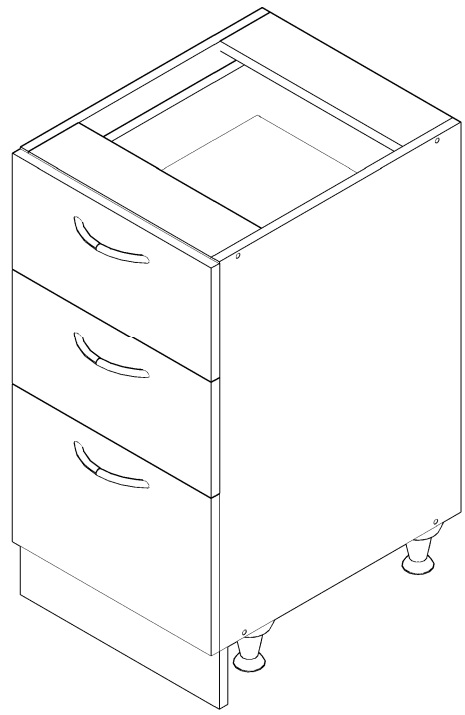
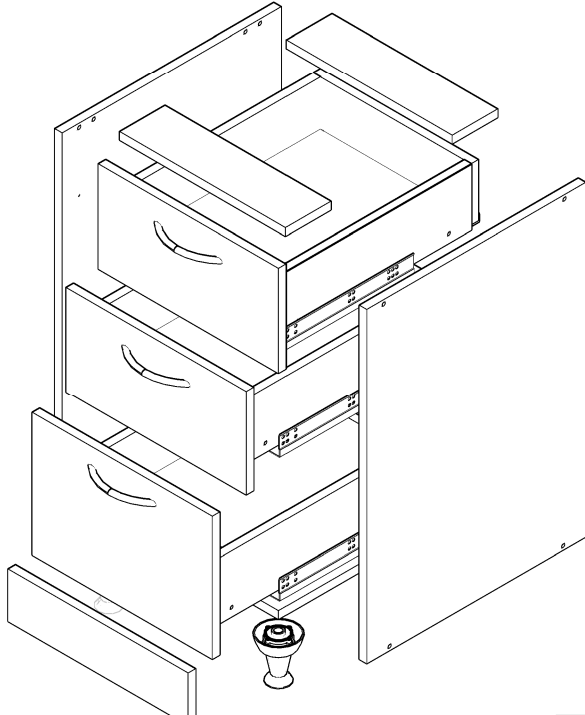
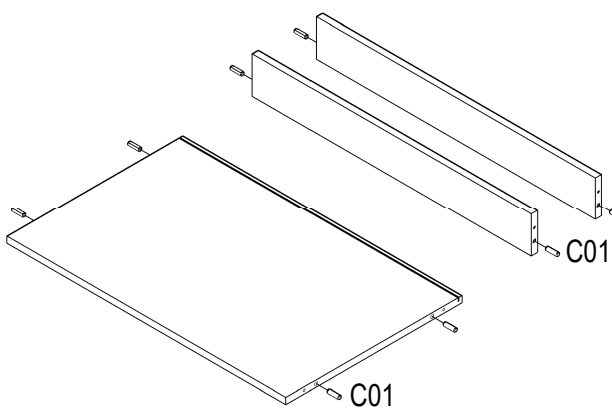


NR.104

 3.5x16 S02 x32	 D01 x1	 G01 x3	 M4X22 S11 x6	 S01 x32	 P01 x4
 M01 x3	 C01 X22	 CL x2	 C10 x12	 C11 x12	 S21 x6

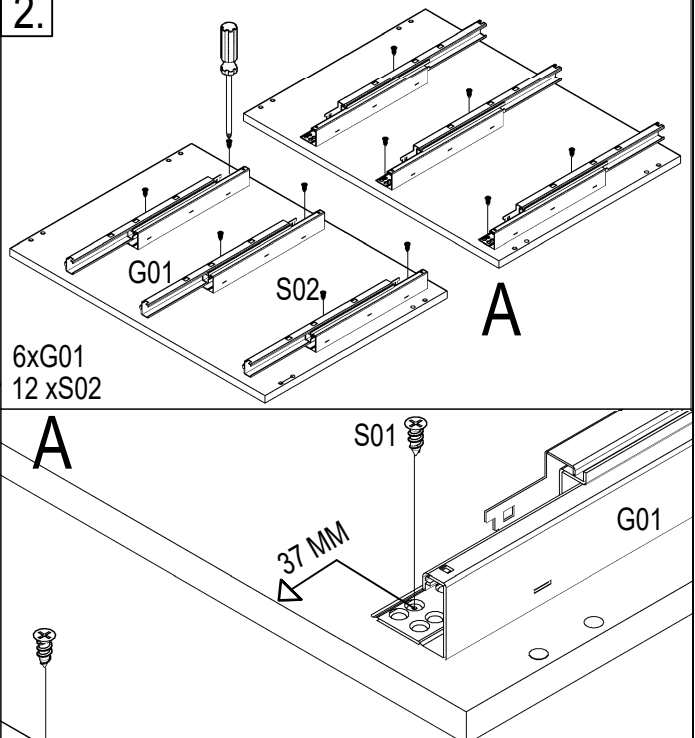


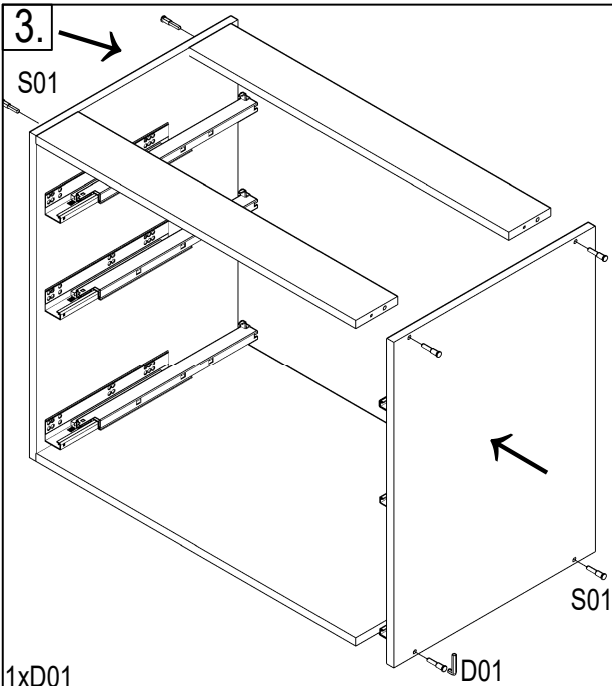
1.



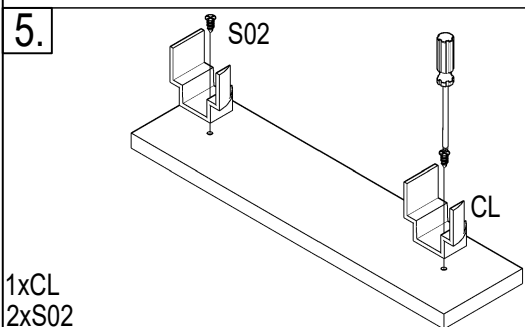
8 x C01

2.

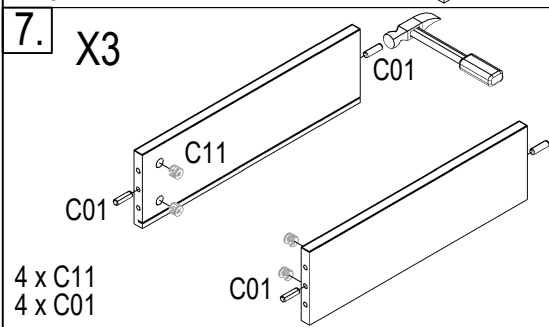




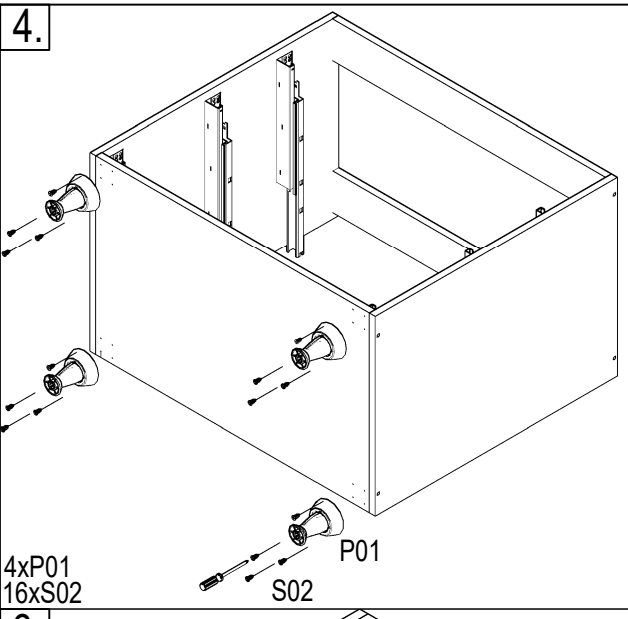
1xD01
8xS01



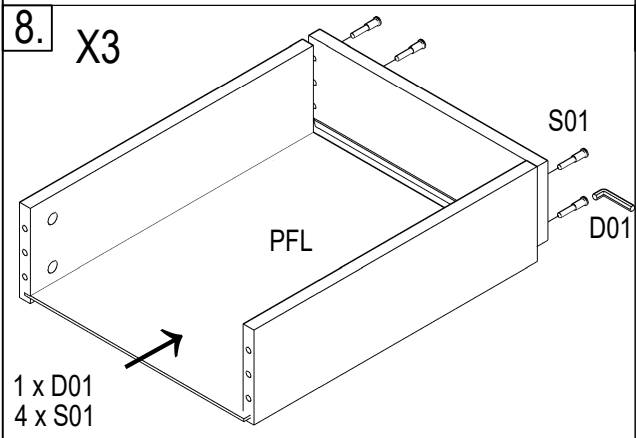
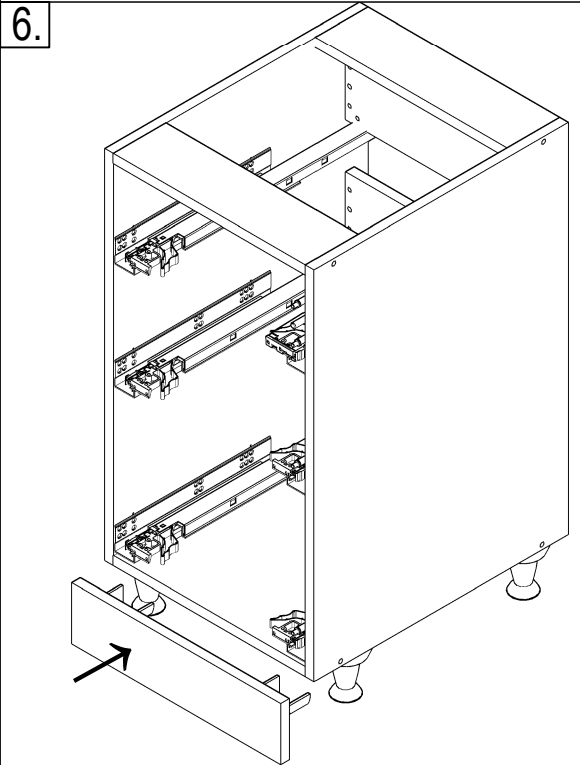
1xCL
2xS02



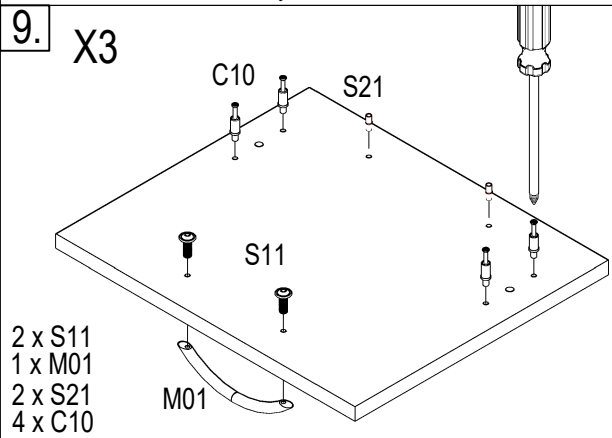
4 x C11
4 x C01



4xP01
16xS02

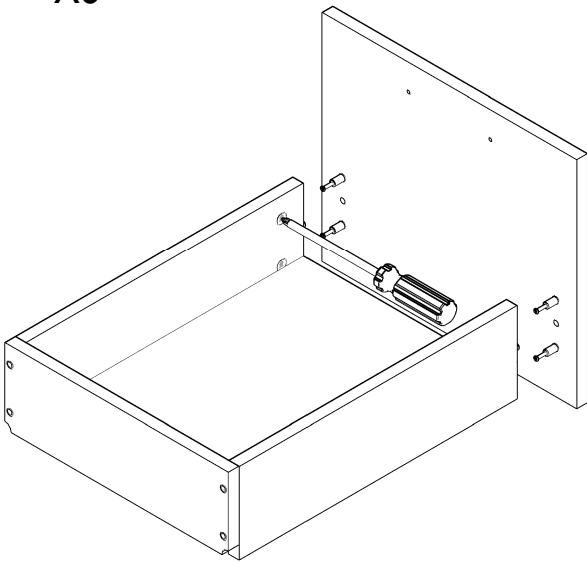


1 x D01
4 x S01

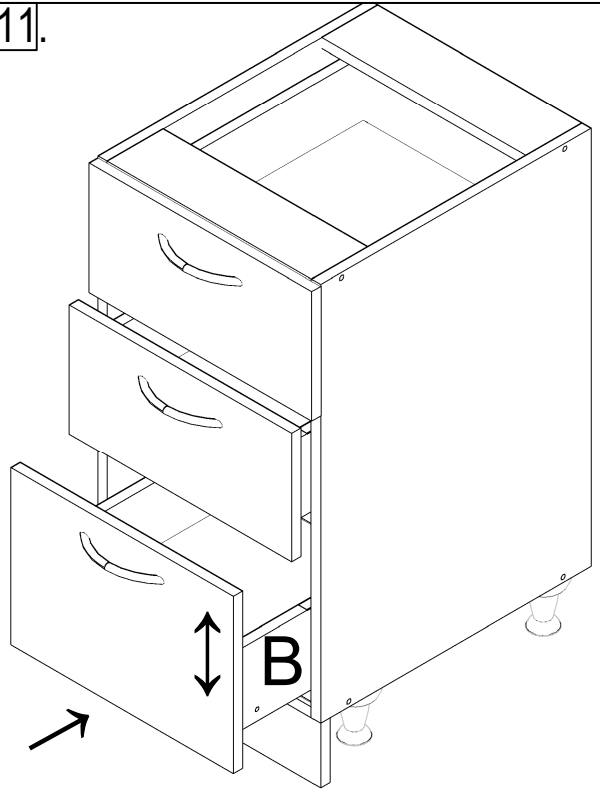


2 x S11
1 x M01
2 x S21
4 x C10

10. X3



11.



B

